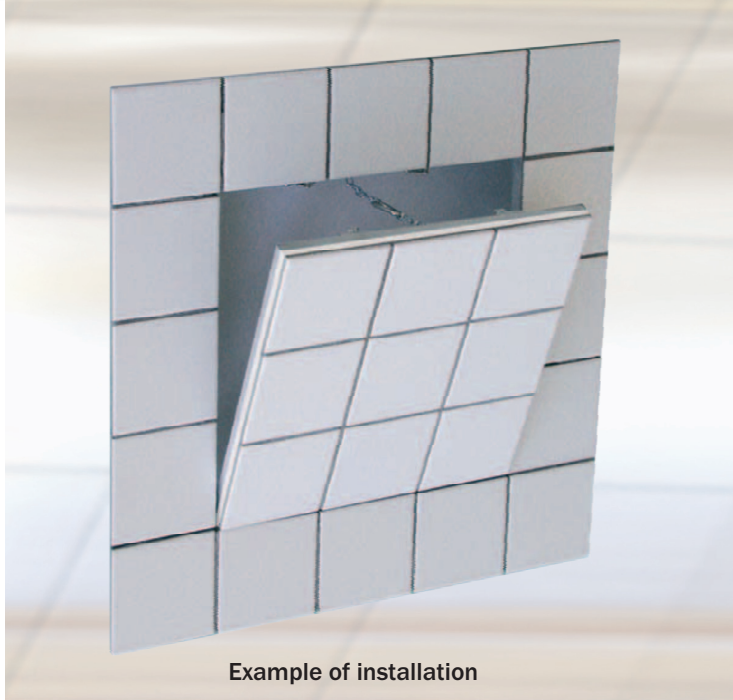


Drywall Access Panel for Tiling

Aluminum frame, with drywall inlay, for drywall partitions - System F3



Example of installation

Description

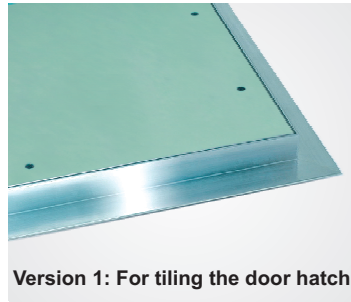
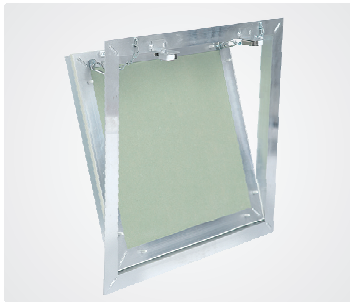
The access panel consists of a welded aluminum frame and is available with 1/2" (12.7 mm) or 5/8" (15.9 mm) inlaid drywall and two latches.

Both an outer and an inner frame assembly consists of high grade aluminum which is bonded with a special welding process.

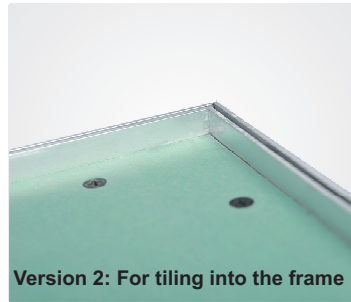
For sizes 12" x 12" (305 x 305 mm) and up the access panels are equipped with a safety system to prevent accidental opening. This safety system must be reattached if the hatch is removed.

The reveal of 1/8 of an inch (3 mm) is visible between the outer frame and door hatch. The concealed snap locks open the access panel when pressure is applied to the spring loaded latch side.

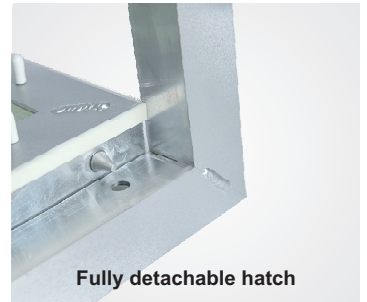
This access panel is designed for tiling applications.



Version 1: For tiling the door hatch



Version 2: For tiling into the frame



Fully detachable hatch

Dimensions

The access panel is aligned to the grid dimension of the tiles. Information on the dimensions of the tiles and joint gaps is required from which dimensions A and B can be ascertained.

Dimensions D and E remain constant. Dimension C corresponds to the respective drywall thicknesses.

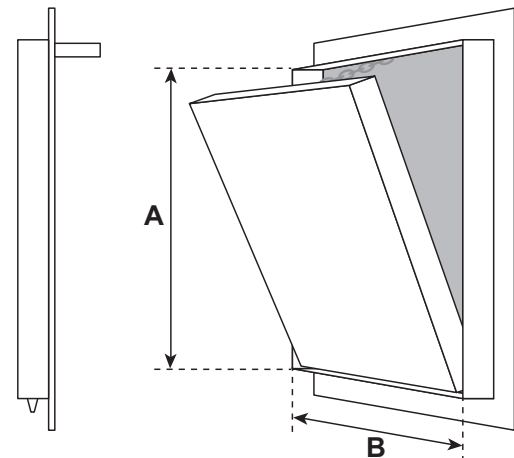
Versions

■ For "tiling the door leaf": The aluminum profile is flush with the board. The tiles are placed upon the profile.

■ For "tiling into the frame": The aluminium profile is higher than the board. The tiles are placed into the frame.

Advantages: - easier assembly for the installer
- clean finish border

Left picture: Closed side view, with latches



All standard sizes are available in 1/2" (12.7 mm) or 5/8" (15.9 mm) drywall. Dimensions A+B are exactly produced to customer's specifications.

Options

- SD** Screwdriver operated cam latch
- Z** Round Cylinder Lock with Key
- H** Hex Head Cam Latch
- P** Pinned Hex Head Cam Latch

Advantages of FF Systems Panels

- Superior engineering & innovative design
- Fast delivery
- Quick and easy installation
- Solid aluminum frame
- Lateral opening
- Available in green board and cement board

FF Systems

Access Panels

Rough opening is door size + 3/8" (9 mm)