

FF Systems

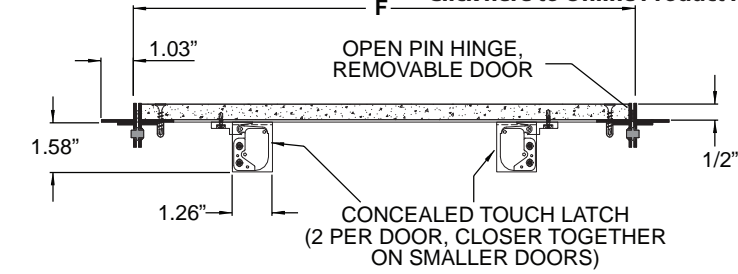
Access Panels

AccessDoorsAndPanels
 Phone: 1-800-609-2917
 Fax: 1-888-626-2907
 Email: info@accessdoorsandpanels.com
 Website: www.AccessDoorsAndPanels.com

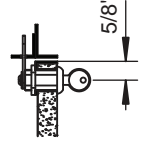
SYSTEM F2 - 1/2"

OPEN HINGE, REMOVABLE DOOR FOR 1/2" DRYWALL DESIGNED FOR NON-RATED WALLS AND CEILINGS.

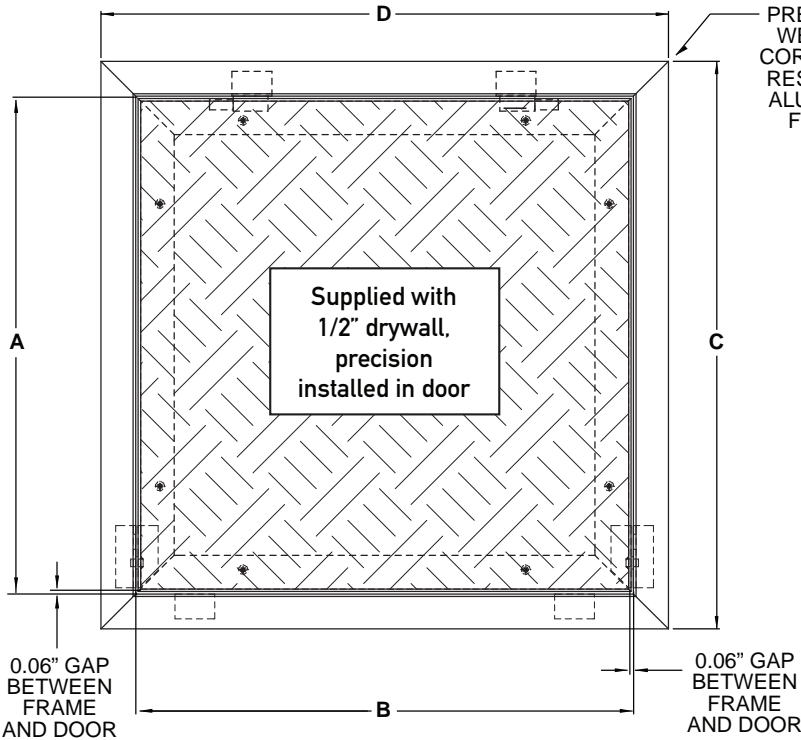
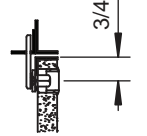
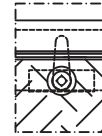
[Click here to Online Product Page and Pricing](#)



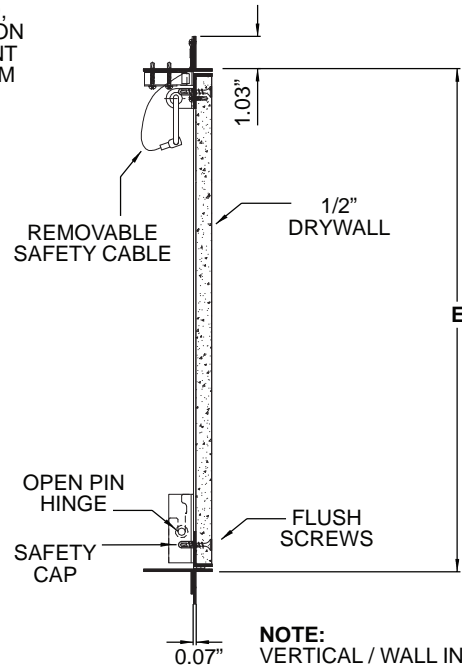
OPTIONAL CYLINDER LOCK WITH 2 KEYS (ALL KEYED ALIKE)



OPTIONAL RECESSED SQUARE CAM LATCH (USED WITH TOOL KEY; 1 per 10 doors)



PRECISION WELDED, CORROSION RESISTANT ALUMINUM FRAME



NOTE: VERTICAL / WALL INSTALLATION: DOOR MUST BE INSTALLED HINGE SIDE DOWN

STANDARD FEATURES

CONCEALED TOUCH LATCH; OPEN HINGE, REMOVABLE DOOR; SUPPLIED TO FIT 1/2" DRYWALL; DESIGNED FOR NON-RATED WALLS & CEILINGS; ALUMINUM FRAME AND DOOR STRUCTURE, WELDED, MILL FINISH; NON-SNAG REMOVABLE SAFETY CABLE

DOOR PANEL OPTION

- MOISTURE RESISTANT PURPLE (GREEN) BOARD PRE-INSTALLED (STANDARD)
- DOOR AND FRAME STRUCTURE ONLY
-

ADDITIONAL LOCKING OPTIONS

- SQUARE CAM LATCH & TOOL KEY
- CYLINDER LOCK & KEY
-

QTY.	NOMINAL SIZE		A		B		C		D		E		F		LOCK
	Inch	mm	Inch	mm	Inch	mm	Inch	mm	Inch	mm	Inch	mm	Inch	mm	
	8 x 8	203 x 203	8.00	203	8.00	203	10.20	258	10.20	258	8.14	207	8.14	207	2
	12 x 12	305 x 305	12.00	305	12.00	305	14.20	359	14.20	359	12.14	308	12.14	308	2
	16 x 16	406 x 406	16.00	406	16.00	406	18.20	461	18.20	461	16.14	410	16.14	410	2
	18 x 18	457 x 457	18.00	457	18.00	457	20.20	512	20.20	512	22.14	461	22.14	461	2
	20 x 20	508 x 508	20.00	508	20.00	508	22.20	562	22.20	562	20.14	512	20.14	512	2
	24 x 24	610 x 610	24.00	610	24.00	610	26.20	664	26.20	664	24.14	613	24.14	613	2
	36 x 24	915 x 610	36.00	915	24.00	610	38.20	969	26.20	664	36.14	919	24.14	613	2

SELECTION SUMMARY & APPROVAL FOR MANUFACTURING

Model Number & Options:

Company:

Contact:

Approval for Manufacturing/Signature:

Quantity:

Project/Job:

Title:

Quote by:

Date: