

SUBMITTAL/TECHNICAL DATA SHEET



SKU: **F2A**

DRYWALL INLAY ACCESS PANEL

WITH DETACHABLE HATCH



DESCRIPTION

This access panel consists of a welded high grade aluminum outer and inner frame that is bonded together with a special welding process. This access door is available with either a 1/2" (12.7mm) or 5/8" (15.9mm) drywall inlay depending on your application.

For easy opening and closing it comes standard with pressure sensitive touch latches, and for added security you can add a lock for an additional fee. For all access door sizes over 12" (305mm) our panels are equipped with a safety-system to prevent accidental openings, this safety system must be re-secured after each use.

Once installed and finished the panel is virtually invisible as the frame, latch and hinges are concealed from the inside, and only a reveal of 1/16" (1.59mm) is visible between the frame and the access door. This access panel also are equipped with a foam perimeter seal.

FEATURES

- Concealed touch latch
- Open hinge, removable door
- Fits 5/8" (15.9mm) drywall
- For non-rated walls & ceilings
- Aluminum frame & door structure
- Welded mill finish
- Non-Snag removable safety cable

ADVANTAGE

- Superior engineering & innovative design
- Fast Delivery
- Quick and Easy installation
- Solid aluminum frame
- Flush installation in ceilings and walls
- Available in moisture resistant, mildew resistant and cement board

For a complete list of options visit www.AccessDoorsAndPanels.com

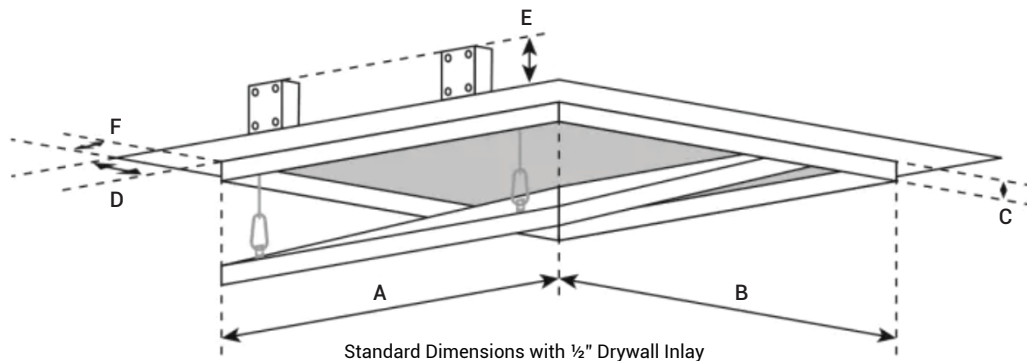
DIMENSIONS AND APPEARANCE

>> CLICK TO VIEW ADDITIONAL DETAILS AND PRICING <<

Available in the following standard sizes:

NOMINAL SIZE		A		B		C		D		E		F		LATCHES
inch	mm	inch	mm	inch	mm	inch	mm	inch	mm	inch	mm	inch	mm	
8 x 8	203 x 203	8.00	203	8.00	203	10.20	258	10.20	258	8.14	207	8.14	207	2
12 x 12	305 x 305	12.00	305	12.00	305	14.20	359	14.20	359	12.14	308	12.14	308	2
16 x 16	406 x 406	16.00	406	16.00	406	18.20	461	18.20	461	16.14	410	16.14	410	2
18 x 18	457 x 457	18.00	457	18.00	457	20.20	512	20.20	512	22.14	461	22.14	461	2
20 x 20	508 x 508	20.00	508	20.00	508	22.20	562	22.20	562	20.14	512	20.14	512	2
24 x 24	610 x 610	24.00	610	24.00	610	26.20	664	26.20	664	24.14	613	24.14	613	2
24 x 36	610 x 915	24.00	610	36.00	915	26.20	664	38.20	969	24.14	613	36.14	919	3

* Rough opening is door size +3/8" (9mm)
Drywall insert with screws on sizes larger than 24" x 24" (610mm x 610mm)



PROJECT DATA

Custom Sizes Available - Fast!

PROJECT NAME :	QTY	W	H	OPTIONS
ARCHITECT :				
DEALER :				
CONTRACTOR :				
LOCATION :	SPECIAL INSTRUCTIONS :			
DATE :	SUBMITTAL APPROVAL :			
TAGGING INSTRUCTIONS :	(signature or stamp)			

Scan or Click



To view Pricing and Additional Product Info.

TELEPHONE:
1-888-457-1275
FAX:
1-888-626-2907

PO BOX 66738 #76520,
SAINT LOUIS, MO
63166-6738
USA



WEBSITE:
www.AccessDoorsAndPanels.com
E-MAIL:
info@accessdoorsandpanels.com