

SUBMITTAL/TECHNICAL DATA SHEET



DESCRIPTIONS

The access panel consists of a welded aluminum frame and is available with 1/2" (12.7 mm) or 5/8" (15.9 mm) inlaid drywall and two latches.

Both an outer and an inner frame assembly consists of high grade aluminum which is bonded with a special welding process.

For sizes 12" x 12" (305 mm x 305 mm) and up the access panels are equipped with a safety-system to prevent accidental opening. This safety system must be reattached if the hatch is removed.

The reveal of 1 /16 of an inch (1.59 mm) is visible between the outer frame and door hatch. The concealed snap locks open the access panel when pressure is applied to spring loaded latch side.

ADVANTAGES

- Superior engineering & innovative design.
- Fast delivery.
- Quick and easy installation.
- Solid aluminum frame.
- Flush installation in ceilings and walls
- Available in moisture / mildew resistant green board and cement board.



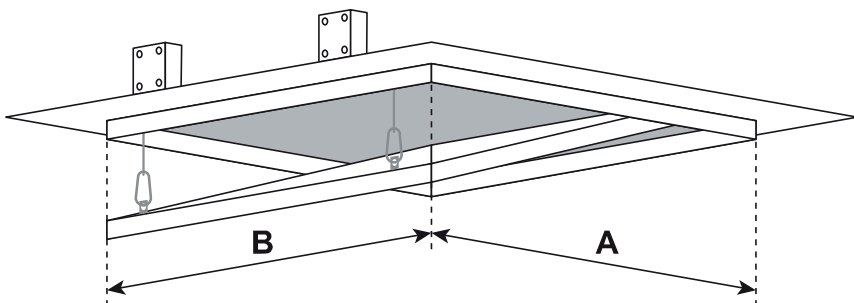
SKU: **F1-FRAME**

DRYWALL ACCESS PANEL

WITH FIXED HINGES

DIMENSIONS AND APPEARANCE

>> CLICK TO VIEW ADDITIONAL DETAILS AND PRICING <<



Customized sizes can be produced in every dimension upon request.

Drywall insert with screws on larger sizes than 24" x 24" (610 mm x 610 mm).

STANDARD SIZES:

SYSTEM F1 CODE	DIMENSIONS	
	A inch mm	B inch mm
203203G127	8" 203	8" 203
305305G127	12" 305	12" 305
406406G127	16" 406	16" 406
508508G127	20" 508	20" 508
610610G127	24" 610	24" 610

OPTIONS:

SD	- Screwdriver operated cam latch
FS	- Screwdriver operated four-square cam latch
Z	- Round Cylinder Lock with Key
M	- Mortise Cylinder Lock Preparation
H	- Hex Head Cam Latch
P	- Pinned Hex Head Cam Latch

All standard sizes are available in 1/2" (12.7 mm) or 5/8" (15.9 mm) drywall .

For a complete list of options visit www.AccessDoorsAndPanels.com

PROJECT DATA

Custom Sizes Available - Fast!

Scan or Click



To view Pricing and Additional Product Info.

PROJECT NAME :	QTY	W	H	OPTIONS
ARCHITECT :				
DEALER :				
CONTRACTOR :				
LOCATION :	SPECIAL INSTRUCTIONS :			
DATE :	SUBMITTAL APPROVAL : (signature or stamp)			
TAGGING INSTRUCTIONS :				

TELEPHONE:
1-888-457-1275
FAX:
1-888-626-2907



PO BOX 66738 #76520,
SAINT LOUIS, MO
63166-6738
USA



WEBSITE:
www.AccessDoorsAndPanels.com
E-MAIL:
info@accessdoorsandpanels.com