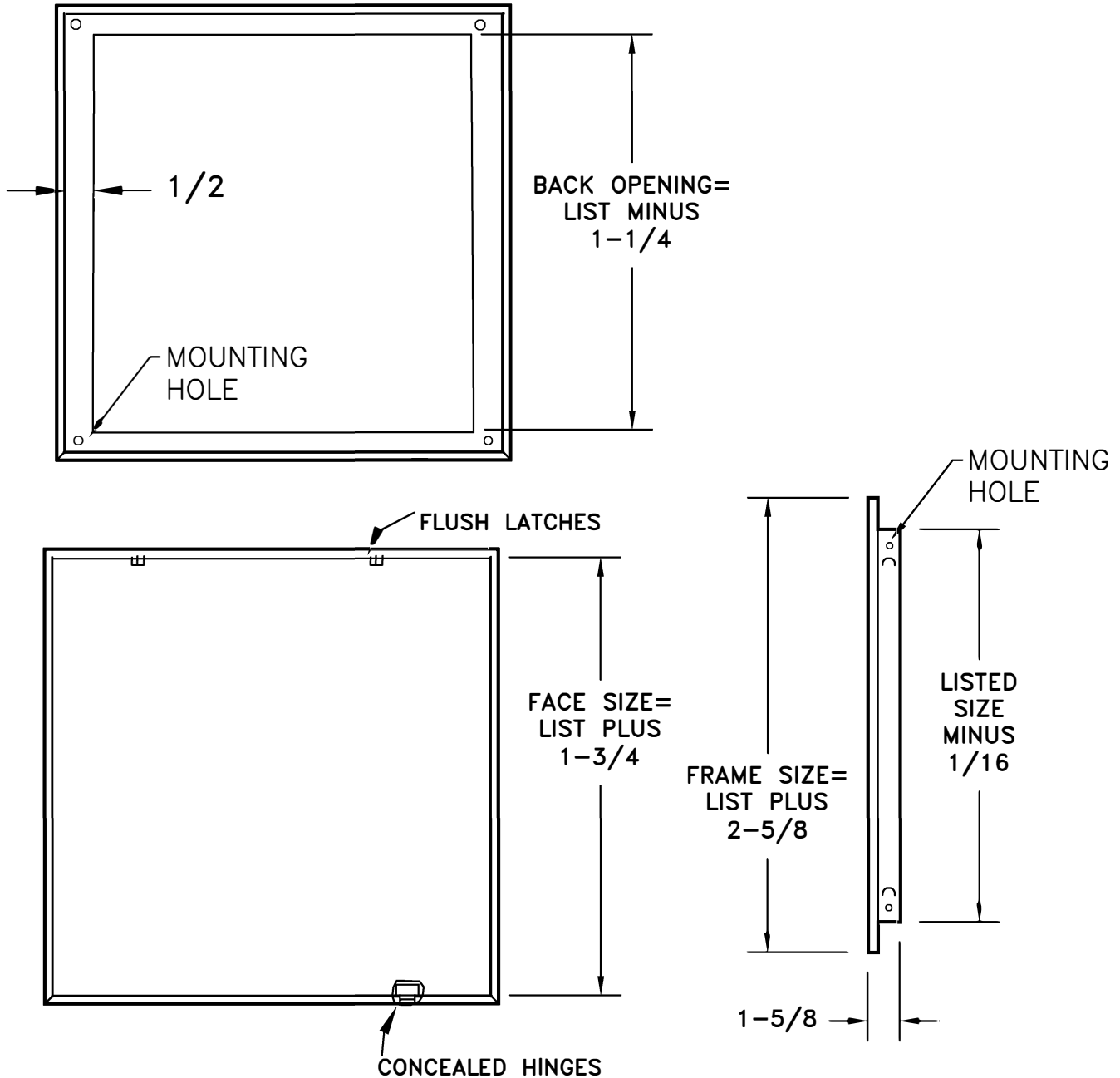


- ALL STEEL CONSTRUCTION
- FLUSH, REMOVABLE FACE WITH CONCEALED LATCHES AND HINGES
- AVAILABLE SIZES— 6X6,8X8,10X10,12X12,14X14,16X16,24X24
- THE FACE IS 22 GAUGE AND THE FRAME IS 24 GAUGE
- FINISH: WHITE (W) ENAMEL



JOB NAME: _____

 ARCHITECT: _____
 ENGINEER: _____
 CONTRACTOR: _____

AccessDoorsAndPanels
 Address: PO Box 66738 #76520,
 Saint Louis, MO 63166-6738

Phone: 1-800-609-2917 Fax: 1-888-626-2907
 Website: www.AccessDoorsAndPanels.com
 Email: info@AccessDoorsAndPanels.com