
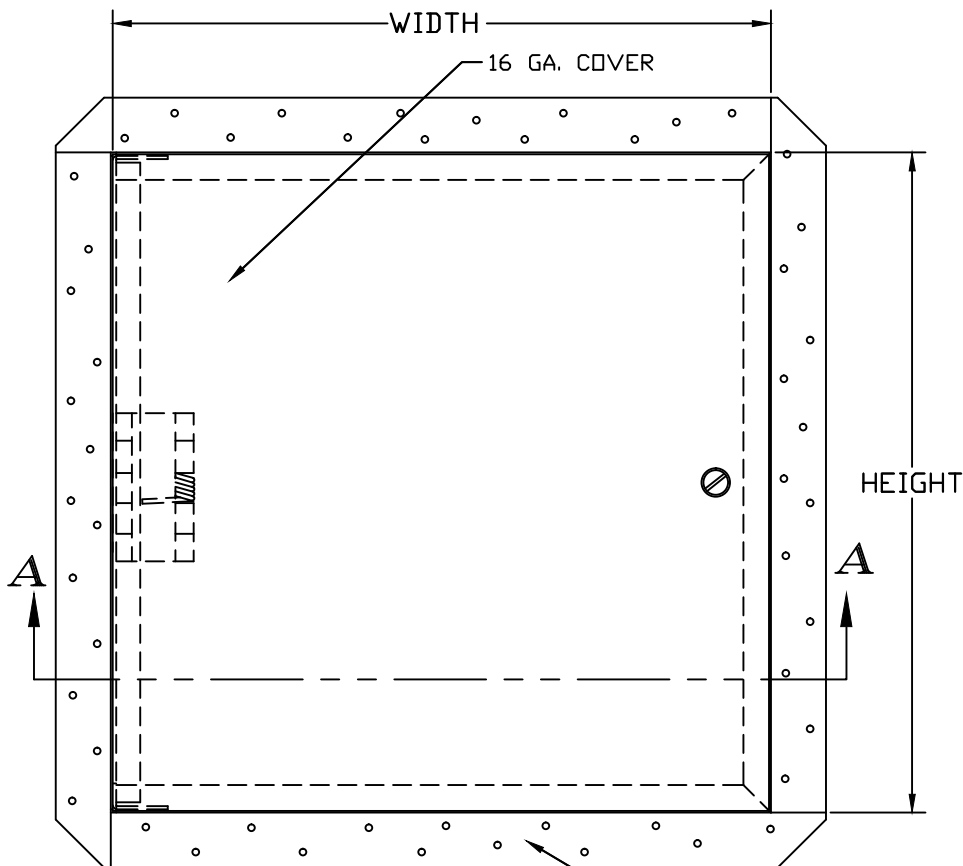




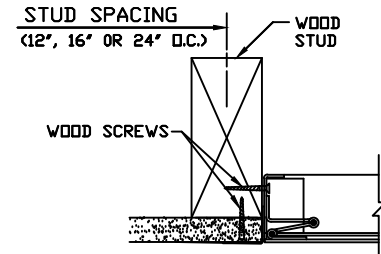
Toll Free Phone: 1-800-609-2917 / Toll Free Fax: 1-888-828-6021 / Email: info@accessdoorsandpanels.com / www.accessdoorsandpanels.com

LEED for NEW CONSTRUCTION Version 2.2								Milcor Galv Steel Roof Hatches	Milcor Alum Roof Hatches	Milcor Skylight Hatches	Milcor Galv Stl Heat & Smoke Vents	Milcor Alum Heat & Smoke Vents	Milcor Domed Heat & Smoke Vents	Milcor Translucent Panel Heat & Smoke Vents	Milcor Steel Sidewalk Doors	Milcor Alum Sidewalk Doors	Milcor Steel Floor Doors	Milcor Alum Floor Doors	Milcor Steel Access Doors
SS	WE	EA	MR	EQ	ID	Heat Island Effect, Roof	X		X	X		X	X						
Credit 7.2																			
SS	WE	EA	MR	EQ	ID	Recycled Content, 10% (post-consumer + 1/2 pre-consumer)	X	X	X	X	X	X	X	X	X	X	X	X	
Credit 4.1																			
SS	WE	EA	MR	EQ	ID	Recycled Content, 20% (post-consumer + 1/2 pre-consumer)	X	X	X	X	X	X	X	X	X	X	X	X	
Credit 4.2																			
SS	WE	EA	MR	EQ	ID	Regional Materials, 10% Extracted, Processed & Manufactured	X	X	X	X	X	X	X	X	X	X	X	X	
Credit 5.1																			
SS	WE	EA	MR	EQ	ID	Regional Materials, 20% Extracted, Processed & Manufactured	X	X	X	X	X	X	X	X	X	X	X	X	
Credit 5.2																			
SS	WE	EA	MR	EQ	ID	Low-Emitting Materials, Adhesives & Sealants	X	X	X	X	X	X	X	X	X	X	X	X	
Credit 4.1																			
SS	WE	EA	MR	EQ	ID	Low-Emitting Materials, Paints & Coatings	X		X	X		X	X	X	X	X	X	X	
Credit 4.2																			

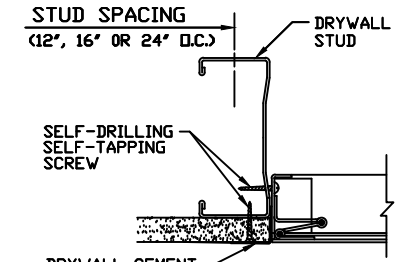


STANDARD SIZES and PRODUCT NUMBERS				
DOOR SIZE (WxH)	OPENING	PRODUCT NUMBER	No. OF CAMS	No. OF HINGES
8 x 8	8 1/2 x 8 1/2	3203-008	1	1
10 x 10	10 1/2 x 10 1/2	3203-010	1	1
12 x 12	12 1/2 x 12 1/2	3203-012	1	1
14 x 14	14 1/2 x 14 1/2	3203-014	1	2
16 x 16	16 1/2 x 16 1/2	3203-016	1	2
18 x 18	18 1/2 x 18 1/2	3203-017	1	2
22 x 22	22 1/2 x 22 1/2	3203-018	4 *	2
24 x 24	24 1/2 x 24 1/2	3203-019	4 *	2
24 x 36	24 1/2 x 36 1/2	3203-036	5 *	3

* One cam lock (centered) at top and bottom of panel. Balance of cam locks on side opposite hinge.



WOOD STUD INSTALLATION DETAIL



STEEL STUD INSTALLATION DETAIL

POWDER COAT: GREY

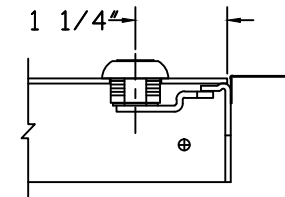
ORDER WILL NOT BE RELEASED FOR FABRICATION UNTIL SIGNED COPY IS RECEIVED.

VERIFICATION AND APPROVAL OF GENERAL ARRANGEMENT AND OVERALL DIMENSIONS OF THIS DOCUMENT ARE REQUIRED BEFORE THE ORDER IS ENTERED FOR MANUFACTURING.

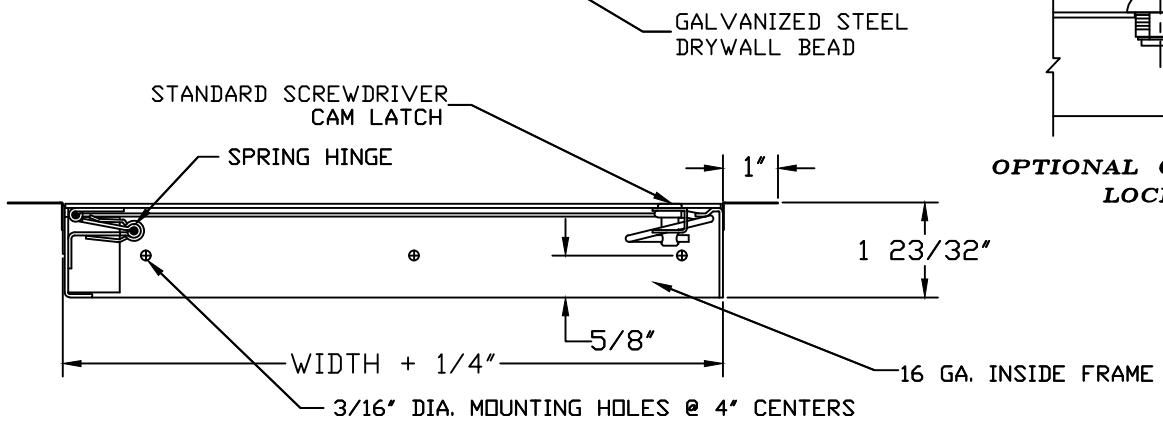
APPROVAL SIGNATURE _____

TITLE HELD _____

DATE OF APPROVAL _____



OPTIONAL CYLINDER LOCK



SECTION VIEW A-A

Toll Free Phone: 1-800-609-2917

Toll Free Fax: 1-888-828-6021

Email: info@accessdoorsandpanels.com

www.accessdoorsandpanels.com

DW-ACCESS DOOR			
STANDARD FLUSH DOOR for DRYWALL, CEILINGS or WALLS			
MATERIAL SCHEDULE			
PART NO.	SIZE	COVER	FRAME
SUBMITTAL		16 GA.	16 GA.
DATE	7/10/2013	DRAWN	JM
REV		JOB NO.	
		SHEET 1 of 1	