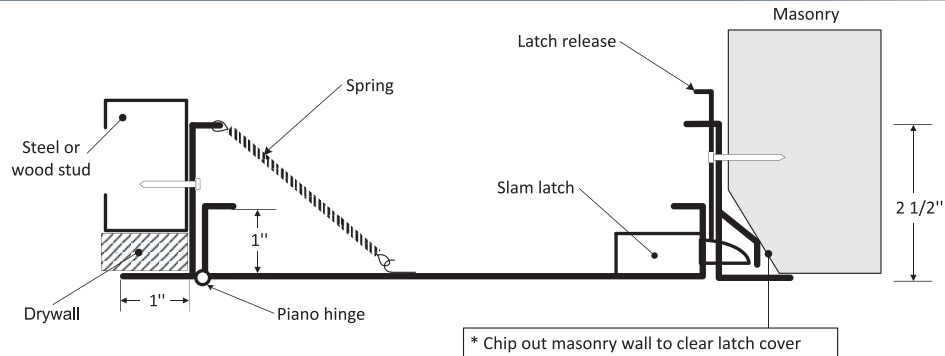


**DRAFT STOP ACCESS DOOR**  
 FOR ATTIC APPLICATION

**DRD**

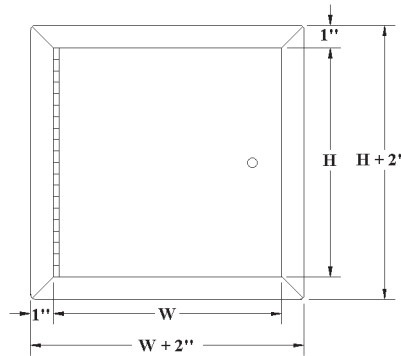
INSTALLATION: WALLS ONLY


**DIMENSIONS AND APPEARANCE**

LEED ready: This product contributes to LEED® credits.

DOOR SIZE - W x H INCHES (MM)	NUMBER OF LOCKS	WEIGHT LBS KG
22 x 30 (558 x 762)	1	22 10
22 x 36 (558 x 914)	2	24 10.9
24 x 36 (609 x 914)	2	29 12.2
24 x 48 (609 x 914)	2	37 16.8
24 x 60 (609 x 1524)	2	44 20
30 x 30 (762 x 762)	1	30 13.6
36 x 36 (914 x 914)	2	39 17.7
36 x 48 (914 x 1219)	2	49 22.2
Rough wall opening is door size + 1/4" or + 6mm		

**Your odd sizes:  
Made in 5 days**


**DESCRIPTION AND MATERIAL SPECIFICATION**

**Material:** 16 gauge cold rolled steel

**Hinge:** continuous piano hinge

**Lock / latch:** self latching tool-key operated latch and/or ring operated latch, both included

**Inside panel release:** standard on all doors

**Automatic panel closer:** standard on all doors

**Finish:** high quality white powder coat primer

**Packaging:** individually wrapped, 1 per box

**POPULAR OPTIONS** For complete list of options go to: [www.accessdoorsandpanels.com](http://www.accessdoorsandpanels.com)

**Material:** stainless steel 304 #4 (brushed finish)

**Lock / latch:** key operated cylinder cam latch, handle operated slam latch, mortise preparation for cylinder (cylinder optional), mortise deadbolt lock

**Gasketing:** neoprene gasket

**CENDREX PARTNERS**

**PROJECT DATA**

PROJECT NAME:	QTY	W	H	OPTIONS
ARCHITECT:				
DEALER:				
CONTRACTOR:				
LOCATION:	SPECIAL INSTRUCTIONS:			
DATE:				
TAGGING INSTRUCTIONS:	SUBMITTAL APPROVAL: (signature or stamp)			