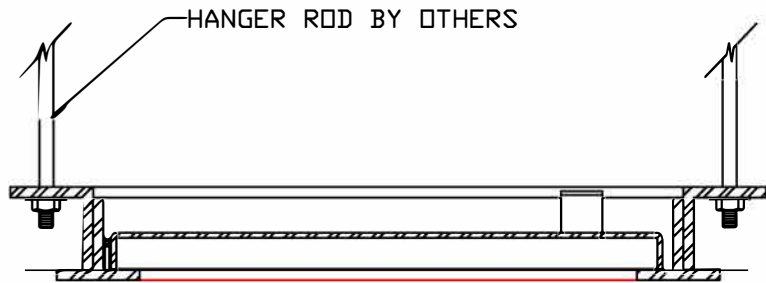
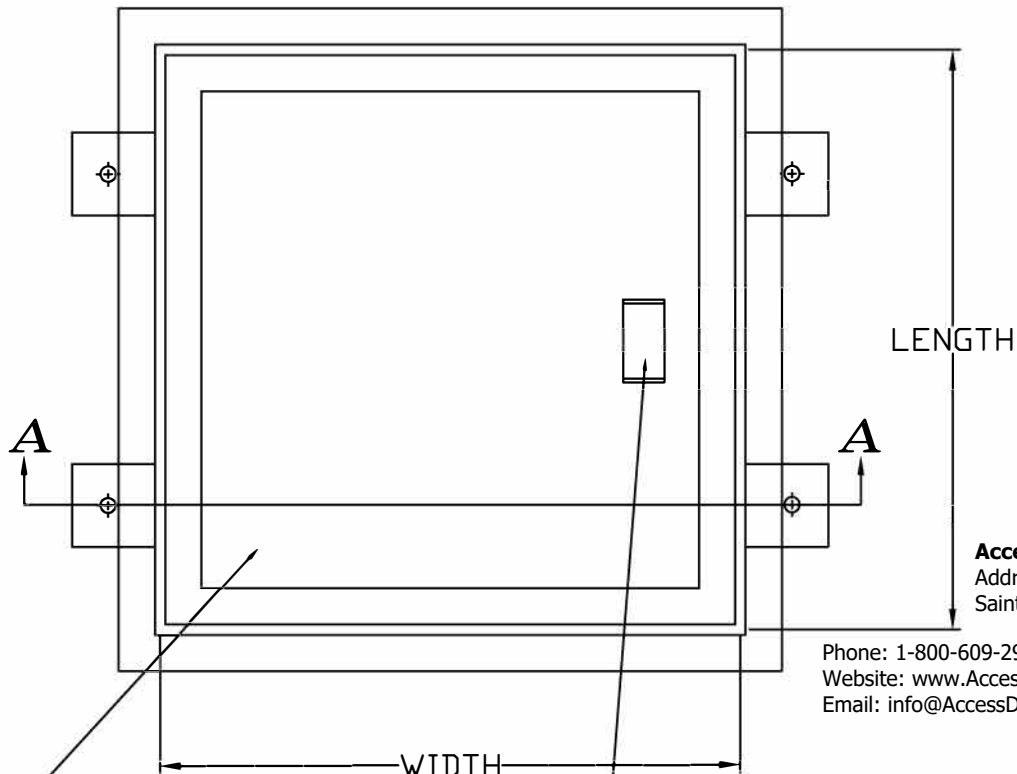


**STANDARD SIZES and PRODUCT NUMBERS**

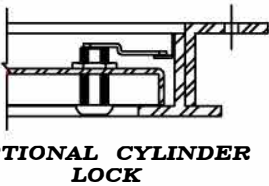
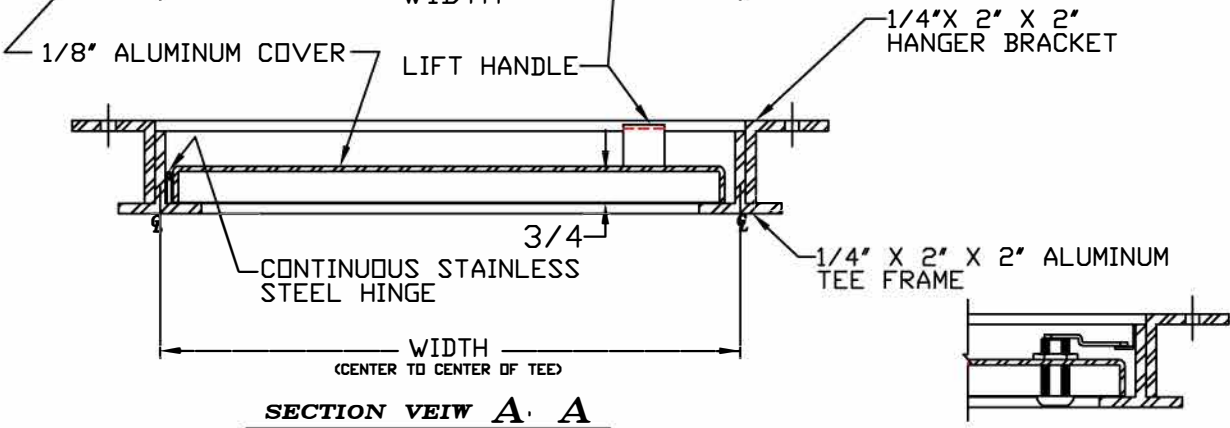
| STYLE | LEAF TYPE | DIMENSIONS CENTER TO CENTER OF ANGLES OR TEES | PRODUCT NUMBER |
|-------|-----------|---|----------------|
| CT-1  | SINGLE    | 2'-6" X 2'-6"                                 | 3520-317-9     |
| CT-2  | SINGLE    | 2'-6" X 3'-0"                                 | 3520-320-9     |
| CT-3  | DOUBLE    | 2'-6" X 2'-6"                                 | 3520-325-9     |



**Installation Detail**

**AccessDoorsAndPanels**  
 Address: PO Box 66738 #76520,  
 Saint Louis, MO 63166-6738

Phone: 1-800-609-2917 Fax: 1-888-626-2907  
 Website: www.AccessDoorsAndPanels.com  
 Email: info@AccessDoorsAndPanels.com



**CT - ACCESS DOOR**

**MATERIAL SCHEDULE**

| QUANTITY | SIZE | COVER | FRAME |
|----------|------|-------|-------|
|          |      |       |       |

**ALUMINUM DOORS FOR SUSPENDED CEILINGS  
 RECESSED - UPSWING**

|                   |         |
|-------------------|---------|
| DEALER            |         |
| PROJECT           |         |
| LOCATION          |         |
| ARCH.             |         |
| CONT'D            |         |
| DATE              | DRAWN   |
| REV               | JOB NO. |
| \\R13\MILCOR\ctus | SHEET   |