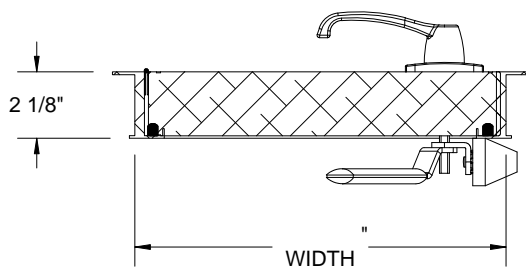
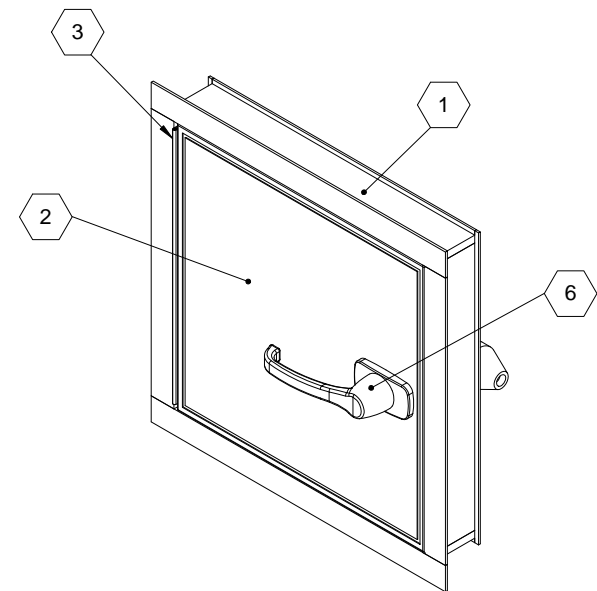


SECTION A-A




SECTION B-B

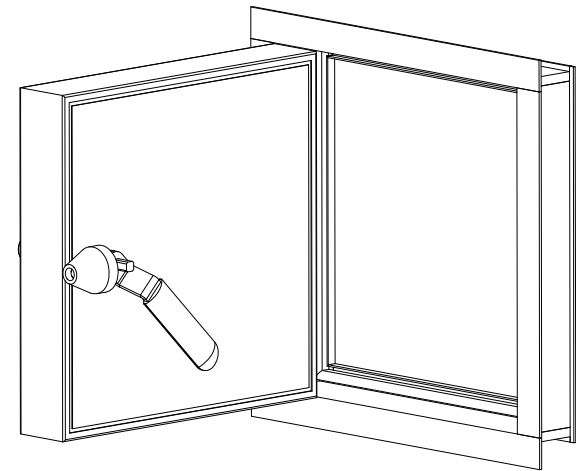
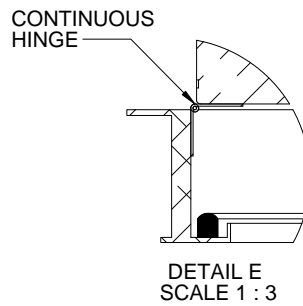
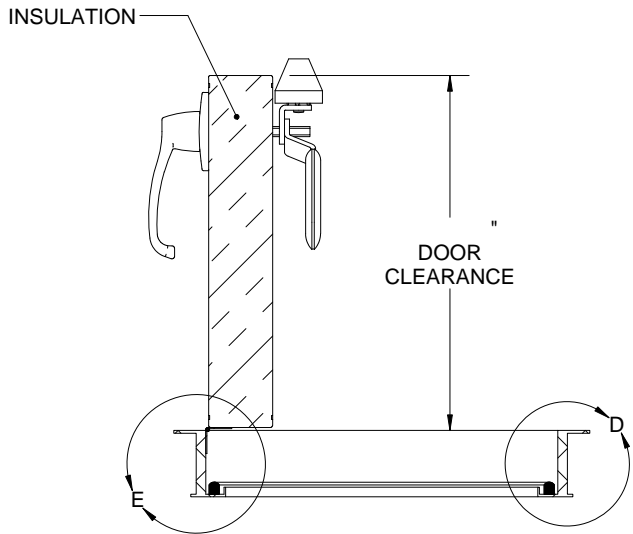
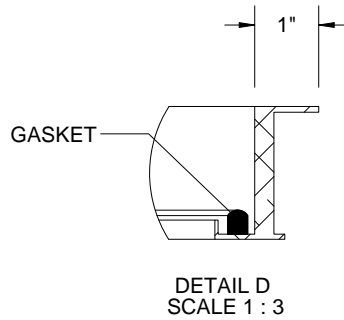
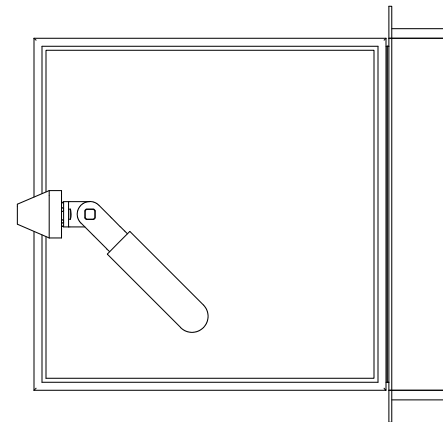
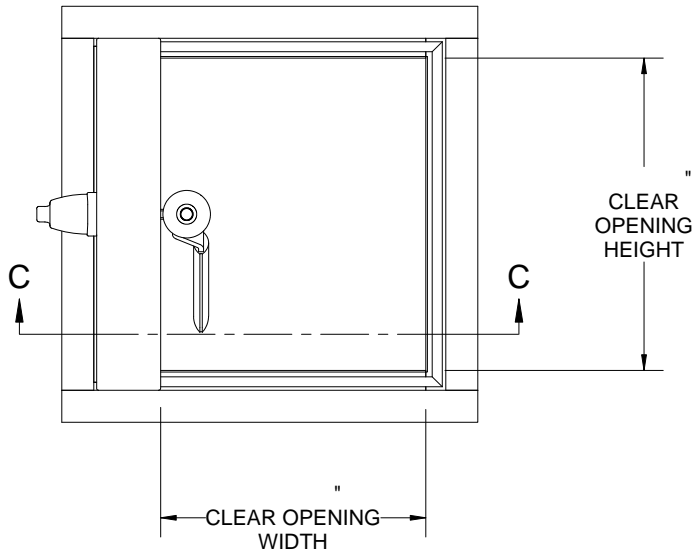
ROUGH OPENING: " X "
 CLEAR OPENING: " X "
 DEGREE OF OPENING: "
 # LATCHING POINTS:


NOTES:

- ① **FRAME:** 6063-T5 Ext Aluminum, Mill Finish
- ② **DOOR:**
- ③ **HINGE:**
- ④ **GASKET:** EPDM Self-Adhesive, Continuous Four Sides
- ⑤ **INSULATION:** Foam Insulation, 2-1/4lb Density, 12 R-Value
- ⑥ **LATCH:** Non-Locking Handle w Interior Handle
- ⑦ **LOCK:** No Lock w Interior Handle

**FLORIDA PRODUCT APPROVAL
 NUMBER FL22309**

| | | | |
|---|------|--------|--------------|
| PROJECT: | | | |
| ARCHITECT: | | | |
| CONTRACTOR: | | | |
| QTY: | | | |
| PART#: | | | |
|  | | TITLE: | |
| | | | |
| NAME | DATE | SIZE | DWG. NO. |
| DRAWN | | A | |
| RELEASED | | | WEIGHT: 5.9 |
| | | | SHEET 1 OF 2 |



| | | | | | |
|---|------|------|-------------|--------------|--|
| PART#: | | | TITLE: | | |
|  | | | | | |
| NAME | DATE | SIZE | DWG. NO. | REV | |
| DRAWN | | A | | A | |
| RELEASED | | | WEIGHT: 5.9 | SHEET 2 OF 2 | |