

# SUBMITTAL/TECHNICAL DATA SHEET



## DESCRIPTION

The Personnel Roof Hatch is improved to offer superior weather resistance in an easy to order stock roof hatch. The industry's leading roof hatch is customizable, sized for OSHA compliant safety railings and available in a variety of materials and finishes.

## SPECIFICATIONS

### MATERIAL:

- 11 gauge Aluminum, mill finish
- Steel 14 gauge galvalume, red coat
- Stainless steel not Miami-Dade or Florida approved

**COVER:** Formed metal cover with liner, stiffened to withstand a live load of 40psf with a max deflection of 1/150 of the span.

**CURB:** Single wall curb with EZ tab counterflash and mounting flange.

**INSULATION:** 1 inch polyiso R-6 in curb, 1 inch polystyrene in cover.

**GASKET:** Extruded EPDM adhesive-backed gasket seal continuous around cover.

**HOLD OPEN ARM:** Zinc-plated steel automatic hold open arm locks cover in open position.

**CERTIFICATION:** Miami-Dade County & Florida Product Approved.

**LATCH:** Zinc-plated steel latch with exterior and interior turn handles and padlock hasps.

**SPRING:** Gas-spring with damper for smooth, controlled lift assistance.

**HINGE:** Heavy-duty pintle hinge with stainless steel hinge pin.

**PULL HANDLE:** Interior safety pull down handle, yellow powder coat.

For a complete list of options visit [www.AccessDoorsAndPanels.com](http://www.AccessDoorsAndPanels.com)



SKU: **BRHU-BWL**

## LATCH ROOF HATCH

SINGLE POINT



FINISH



Mill Aluminum



2B Matte Stainless Steel



Red Oxide Powder Coat



High Reflectance White Powder Coat

## DIMENSIONS AND APPEARANCE

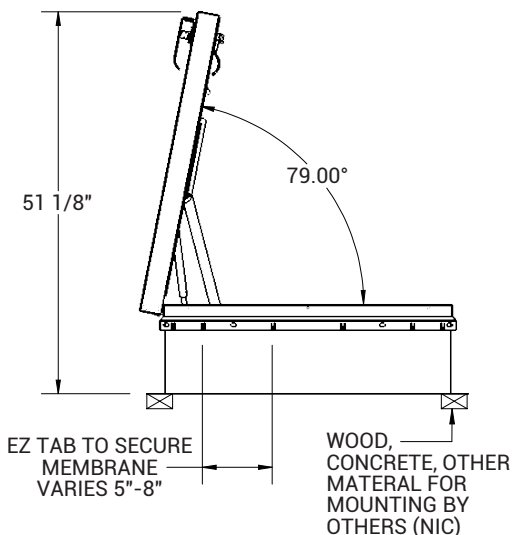
[>> CLICK TO VIEW ADDITIONAL DETAILS AND PRICING <<](#)

### ORDER GUIDE:

RED STEEL	WHITE STEEL	ALUMINUM	SIZE	ACCESS	LATCH
BG3054	BW3054	BA3054	30 X 54	Ship Stair	Single Point
BG3630	BW3630	BA3630	36 X 30	Ladder	Single Point
BG3636	BW3636	BA3636	36 X 36	Ladder	Single Point
BG4848	BW4848	BA4848	48 X 48	Ladder	Single Point

Additional sizes and options available, call for more information.

For Detailed Specifications See Submittal Sheet



### FEATURES:

**INDUSTRY'S BEST** Tested for small and large missile impact Class IV (TAS 201-94), Air Pressure & Water Penetration (TAS 202-94), and Cyclic Wind Pressure Loading (TAS 203-94).

**SAFETY RAILING READY** Safety railings install quick and easy with predrilled counterflash, designed to meet the 42" height requirement per OSHA and IBC.

**SUPERIOR POWDER-COAT FINISH** The standard red oxide powder-coat finish provides outstanding corrosion resistance, superior gloss and color retention.

**GAS SPRING OPERATION** Designed for a smooth one-handed operation that complies with OSHA safety standards, this roof hatch is easy to open and close.

## PROJECT DATA

Custom Sizes Available - Fast!

Scan or Click



To view Pricing and Additional Product Info.

PROJECT NAME :	QTY	W	H	OPTIONS
ARCHITECT :				
DEALER :				
CONTRACTOR :				
LOCATION :	SPECIAL INSTRUCTIONS :			
DATE :	SUBMITTAL APPROVAL : (signature or stamp)			
TAGGING INSTRUCTIONS :				

TELEPHONE:  
1-888-457-1275  
FAX:  
1-888-626-2907



PO BOX 66738 #76520,  
SAINT LOUIS, MO  
63166-6738  
USA



WEBSITE:  
[www.AccessDoorsAndPanels.com](http://www.AccessDoorsAndPanels.com)  
E-MAIL:  
[info@AccessDoorsAndPanels.com](mailto:info@AccessDoorsAndPanels.com)



# BRHU-BWL

# 2-POINT LATCH ROOF HATCH



FINISH



Mill  
Aluminum



2B Matte  
Stainless Steel



Red Oxide  
Powder Coat



High Reflectance  
White Powder Coat

### 2-POINT LATCH:

LATCH Zinc-plated steel latch with exterior and interior turn handles and padlock hasps.

### STANDARD MODELS:

RED STEEL	WHITE STEEL	ALUMINUM	SIZE	ACCESS	LATCH
BG3072	BW3072	BA3072	30 X 72	Ship Stair	Two Point
BG3096	BW3096	BA3096	30 X 96	Service Stair	Two Point
BG3696	BW3696	BA3696	36 X 96	Service Stair	Two Point

\* Not approved for Miami-Dade or State of Florida.  
Additional sizes and options available, call for more information.