

SUBMITTAL/TECHNICAL DATA SHEET



DESCRIPTION

The Personnel Roof Hatch is improved to offer superior weather resistance in an easy to order stock roof hatch. The industry's leading roof hatch is customizable, sized for OSHA compliant safety railings and available in a variety of materials and finishes.

SPECIFICATIONS

MATERIAL: Aluminum, 11 gauge Steel, 14 gauge galvaneal.

COVER: Formed metal cover with liner internally stiffened to withstand a live load of 40psf with a max deflection of 1/150 the span.

CURB: Single wall curb with railing ready EZ tab counterflash and mounting flange.

INSULATION: 1 inch polystyrene in cover, 1 inch polyiso around curb; R-6.

GASKET: Extruded EPDM adhesive backed gasket seal, continuous around curb and cover to assure a continuous seal.

HOLD OPEN ARM: Zinc plated steel automatic hold open arm locks cover in open position.

LATCH: Zinc plated steel latch with exterior and interior turn handle and padlock hasp; tested to 140psf wind uplift

WARRANTY: Five (5) years

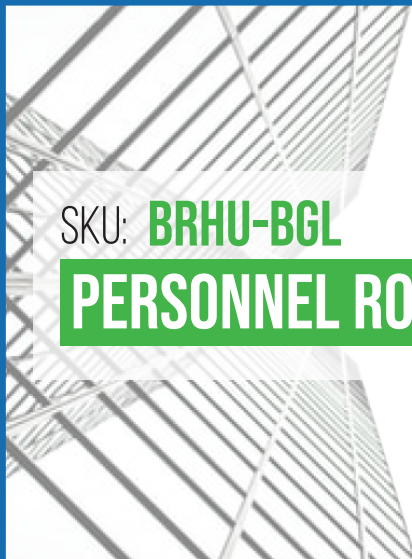
CERTIFICATION: Florida Product Approval, Miami-Dade County Approved NOA# 21-1201.01, Expiration Date May 25, 2027

SPRING: Gas spring with damper for smooth, controlled lift assistance.

HINGE: Heavy-duty pintle hinge with stainless steel hinge pin.

PULL HANDLE: Interior safety pull down handle, yellow powder coat.

For a complete list of options visit www.AccessDoorsAndPanels.com



SKU: **BRHU-BGL**

PERSONNEL ROOF HATCH



DIMENSIONS AND APPEARANCE

>> CLICK TO VIEW ADDITIONAL DETAILS AND PRICING <<

ORDER GUIDE:

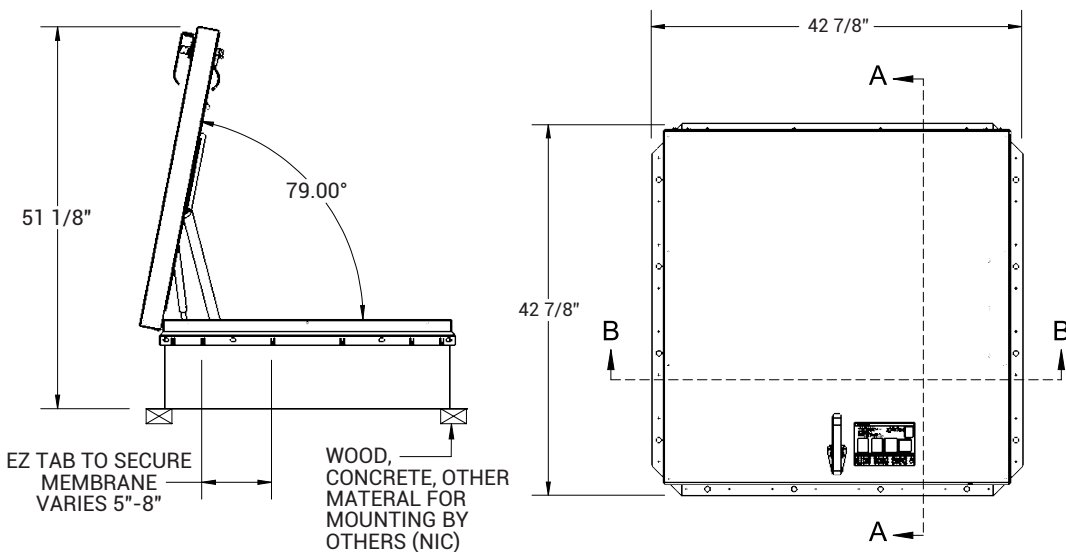
RED STEEL	WHITE STEEL	ALUMINUM	SIZE	ACCESS	LATCH
BG3054	BW3054	BA3054	30 X 54	Ship Stair	Single Point
BG3630	BW3630	BA3630	36 X 30	Ladder	Single Point
BG3636	BW3636	BA3636	36 X 36	Ladder	Single Point
BG4848	BW4848	BA4848	48 X 48	Ladder	Single Point
BG3072	BW3072	BA3072	30 X 72	Ship Stair	2 - Point
BG3096	BW3096	BA3096	30 X 96	Service Stair	2 - Point
BG3696	BW3696	BA3696	36 X 96*	Service Stair	2 - Point

*Not Miami-Dade County or State of Florida Approved
Additional sizes and options available, call for more information.

FEATURES:

- Miami-Dade & Florida Approved up to 20ft2
- Safety Railing Ready
- Superior Powder-Coat Finish
- Easy Gas Spring Operation

For Detailed Specifications See Submittal Sheet



PROJECT DATA

Custom Sizes Available - Fast!

Scan or Click



To view Pricing and Additional Product Info.

PROJECT NAME :	QTY	W	H	OPTIONS
ARCHITECT :				
DEALER :				
CONTRACTOR :				
LOCATION :	SPECIAL INSTRUCTIONS :			
DATE :	SUBMITTAL APPROVAL : (signature or stamp)			
TAGGING INSTRUCTIONS :				

TELEPHONE:
1-888-457-1275
FAX:
1-888-626-2907

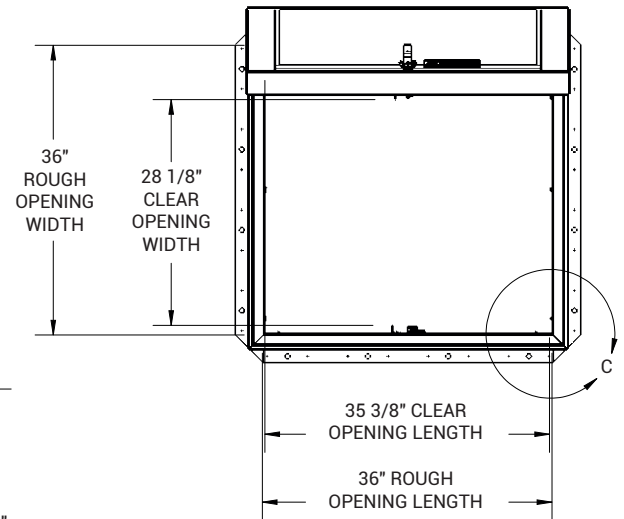
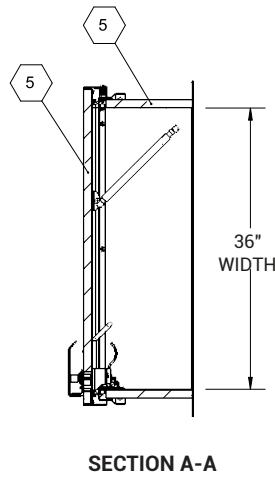
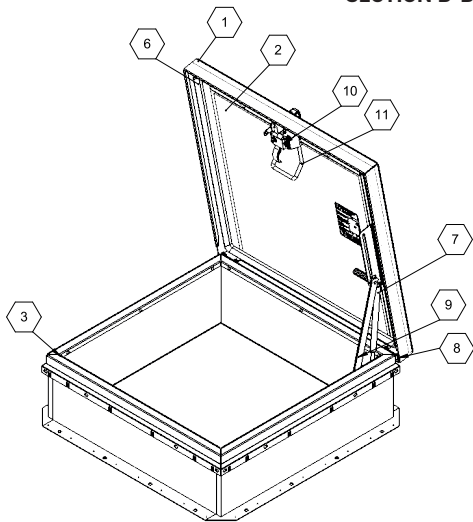
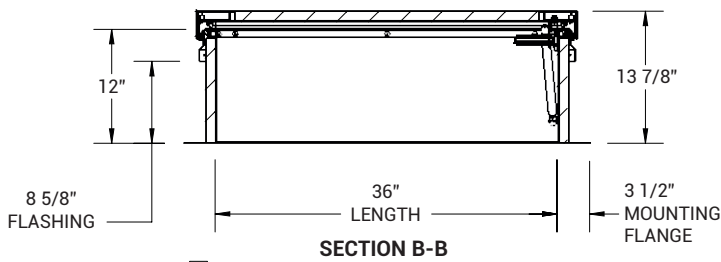
PO BOX 66738 #76520,
SAINT LOUIS, MO
63166-6738
USA

WEBSITE:
www.AccessDoorsAndPanels.com
E-MAIL:
info@AccessDoorsAndPanels.com



BRHU-BGL

PERSONAL ROOF HATCH



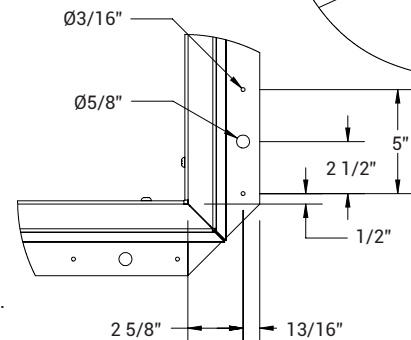
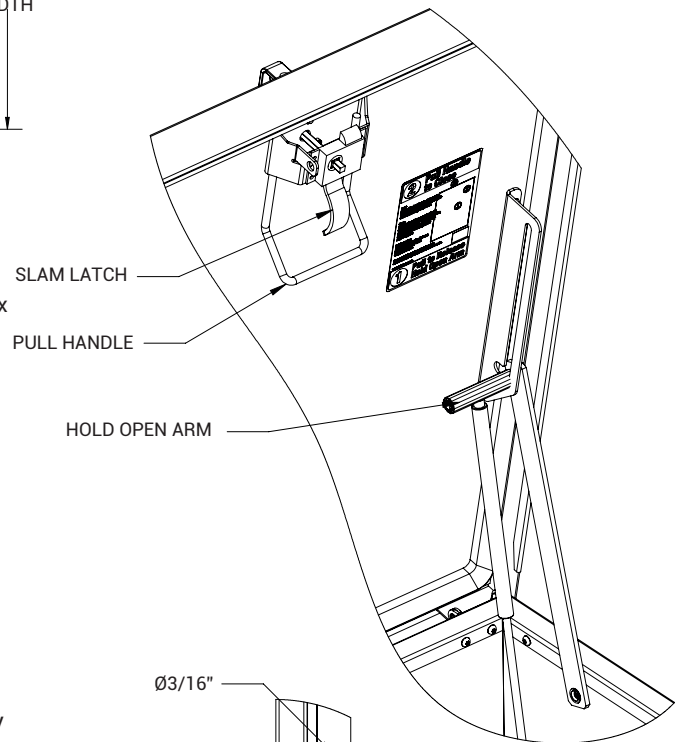
SPECIFICATIONS:

- ① **COVER:** 11 Ga (.090) Alum, Stiffened To Withstand A Live Load Of 40psf With A Max Deflection Of 1/150 Of The Span.
- ② **LINER:** 18 Ga (.040) Alum
- ③ **CURB:** 11 Ga (.090) Alum, Curb Counterflash With Ez Tabs
- ④ **FINISH:** Mill
- ⑤ **INSULATION:**
1" Polyiso R-6 (5.6 Lttr) In Curb,
1" Polystyrene R-4 (3.8 Lttr) In Cover.
- ⑥ **GASKET:** Extruded Epdm Rubber Adhesive Backed Gasket Seal Continuous Around Cover.
- ⑦ **SPRING:** Gas Spring With Damper For Smooth, Controlled, Counterbalanced Lift Assistance.
- ⑧ **HINGE:** Pintle Hinge With Stainless Steel Hinge Pins.
- ⑨ **HOLD OPEN ARM:** Zinc Plated Steel Automatic Hold Open Arm Locks Cover In Fully Open Position With Red Grip Handle Pull Release.
- ⑩ **LATCH:** Zinc Plated Steel Slam Latch, Holds Covers Closed Against Wind Uplift, Interior And Exterior Handles With Padlock Hasps.
- ⑪ **PULL HANDLE:** Interior Pull Down Handle

NOTES:

- When installing on a pitched roof up to 7:12, the hinge side(length)must be parallel to the slope.
- Width x length dimensions are measured inside curb to inside curb. The width is hinge to latch and length is hinged side.

ROOF HATCH SIZE: 36" (WIDTH) x 36" (LENGTH)



DETAIL C
SCALE 1:8