

Renovation

ACCESS DOOR

The Babcock-Davis Renovation Access Door is a lighter gauge alternative to the Architectural Door. The panel features an industry-leading design to provide superior durability and functionality.

DETAILS

DOOR 20 gauge Steel

FRAME 20 gauge Steel

SIZE

- Min: 6 inches by 6 inches
- Max: 24 inches by 72 inches or 48 inches by 48 inches

INSTALLATION Ceiling or Wall

FLANGE 1 inch Exposed

HINGE Concealed Spring Button

PAN DEPTH 1/2 inch

FINISH White Powder Coat



ORDER GUIDE

BASE	FLANGE	LATCH	WIDTH	X	LENGTH	OPTIONS
BE				X		
	T 1 inch Flange	C Screwdriver Cam Latch L Key Operated Cam Lock	Standard Sizes (W x L) 6" x 6" 8" x 8" 10" x 10" 12" x 12" 12" x 18" 12" x 24" 14" x 14" 16" x 16"	16" x 20" 18" x 18" 18" x 24" 20" x 30" 22" x 22" 22" x 30" 24" x 24" 24" x 30"	24" x 36" 24" x 48" 30" x 30" 30" x 36" 32" x 32" 36" x 36"	B Galvannealed G Gasketing

Rough opening is door size + 1/4 inch minimum. Additional sizes available, call for more information.

Recessed

ACCESS DOOR

The non-rated Recessed Access Door provides access through openings in wall or ceiling surfaces. This door is designed to receive 5/8 inch drywall inlay to match the surrounding surfaces.

DETAILS

DOOR 16 gauge Steel

FRAME 16 gauge Steel

SIZE

- Min: 6 inches by 6 inches
- Max: 24 inches by 36 inches

INSTALLATION Ceiling

FLANGE None, Drywall Bead or Plaster Bead

HINGE Concealed Pivoting Rod

PAN DEPTH 5/8 inch

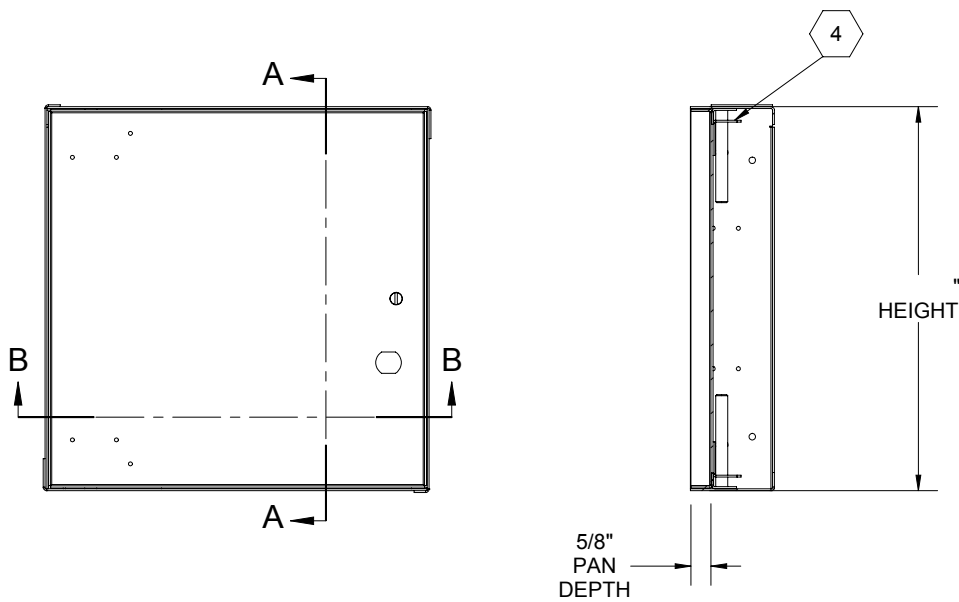
FINISH White Powder Coat or None



ORDER GUIDE

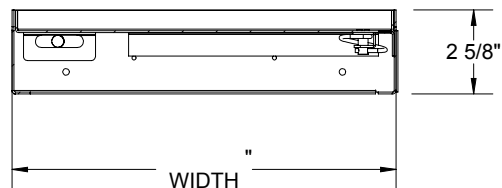
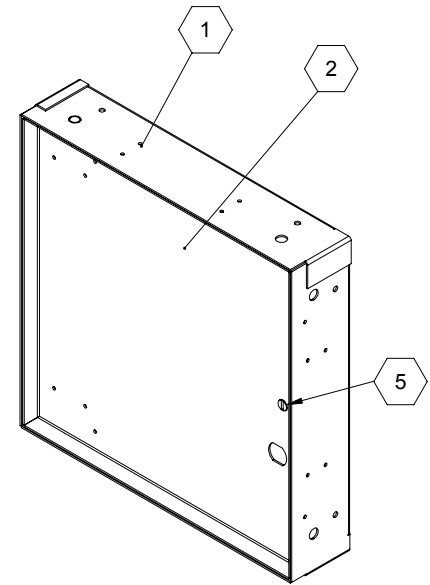
BASE	FLANGE	LATCH	WIDTH	X	LENGTH	OPTIONS
BR				X		
	A No Flange P Plaster Bead W Drywall Bead	C Screwdriver Cam Latch L Key Operated Cam Lock M Mortise Lock (1-1/8") Prep	Standard Sizes (W x L) 8" x 8" 12" x 12" 16" x 16" 18" x 18"	20" x 30" 24" x 24" 24" x 30" 24" x 36"		B Galvannealed G Gasketing S Type 304 Stainless Steel

*Rough opening is door size + 1/4 inch minimum. Additional sizes available, call for more information.
Ceiling application only.



5/8"
PAN
DEPTH

SECTION A-A




SECTION B-B

ROUGH OPENING: " x "
CLEAR OPENING: " x "
DEGREE OF OPENING: 100°
CAM QTY: Latch Side
 Top/Bottom Side

NOTES:

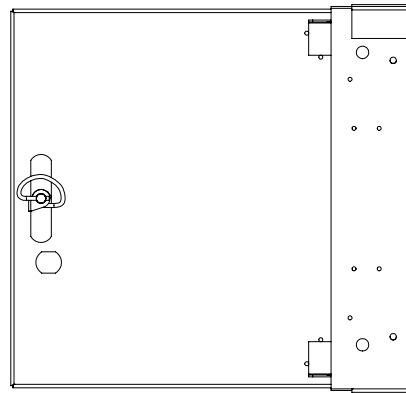
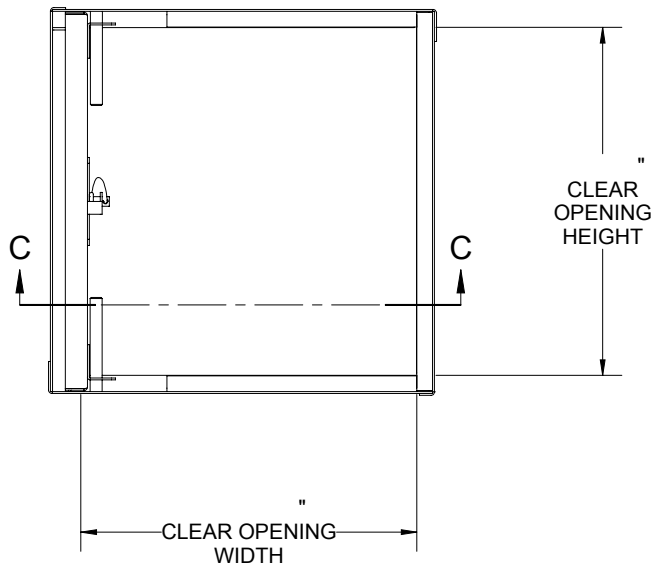
- ① **FRAME:**
- ② **DOOR:**
- ③ **FINISH:**
- ④ **HINGE:** Concealed Rod Hinge
- ⑤ **LATCH:**

PROPRIETARY AND CONFIDENTIAL: THE INFORMATION CONTAINED IN THIS DRAWING IS THE SOLE PROPERTY OF BABCOCK-DAVIS. ANY REPRODUCTION IN PART OR AS A WHOLE WITHOUT THE WRITTEN PERMISSION OF BABCOCK-DAVIS IS PROHIBITED.

PROJECT:			
ARCHITECT:			
CONTRACTOR:			
QTY:			
PART#:			
 PO Box 66738 #76520, Saint Louis, MO 63166		TITLE:	
NAME	DATE	SIZE	DWG. NO.
RELEASED		A	
WEIGHT: VARIES		SHEET 1 OF 2	

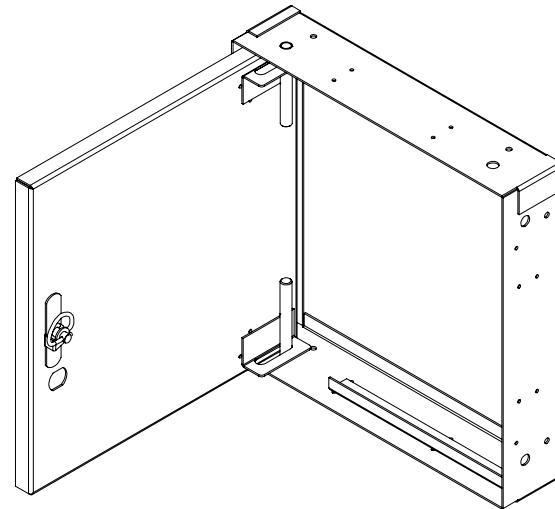
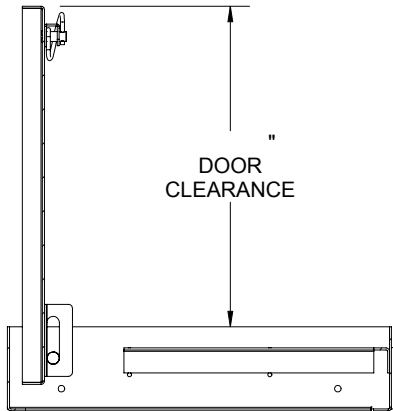
B


B



A

A



PART#:		TITLE:			
 PO Box 66738 #76520, Saint Louis, MO 63166					
NAME	DATE	SIZE	DWG. NO.	REV	
DRAWN		A		-	
RELEASED		WEIGHT: VARIES		SHEET 2 OF 2	

PROPRIETARY AND CONFIDENTIAL: THE INFORMATION CONTAINED IN THIS DRAWING IS THE SOLE PROPERTY OF BABCOCK-DAVIS. ANY REPRODUCTION IN PART OR AS A WHOLE WITHOUT THE WRITTEN PERMISSION OF BABCOCK-DAVIS IS PROHIBITED.