


### Detail & Submittal Sheet

#### Construction Specifications:

**Bubble Canopy (BC)** cabinet fronts are 16 gauge cold rolled steel with 22 gauge cold rolled steel tubs. Cabinets offer a sleek design including a convex acrylic bubble door extending out from the trim, permitting 180° of visibility for quick identification of the extinguisher.

 To comply with ADA Guidelines, Extinguishers and Cabinets offer handles, brackets and return trims according to instructions provided by installer. For ADA compliance follow the specification ordering process dimensions in our catalog. Proper installation in accordance with the ADA Guidelines is the sole responsibility of the installer. For more information please visit the Accessibility Guidelines for Buildings and Facilities website or call them at 1-800-872-2253.

Project: \_\_\_\_\_

Specification Reference: \_\_\_\_\_

Model Number: \_\_\_\_\_ Quantity: \_\_\_\_\_

Architect: \_\_\_\_\_

Contractor: \_\_\_\_\_

Distributor: \_\_\_\_\_

Approved By: \_\_\_\_\_

Date: \_\_\_\_\_

**SPECIFICATION PROCESS:** Follow the steps below to specify your cabinet.

**STEP 1: EXTINGUISHER SIZE:**  
1 - 10 lb. 2 - 20 lb.

**STEP 2: CABINET STYLE:**  
0 - Surface Mounted (S)  
1 - Semi-Recessed (SR)  
2 - Fully-Recessed (FR)

**STEP 3: DOOR STYLE:**  
Bubble Only

**STEP 4: SERIES:**  
BC - Bubble Cabinet

**STEP 5: CABINET TYPE:**  
SG - SAFEGUARD - Fire Rated

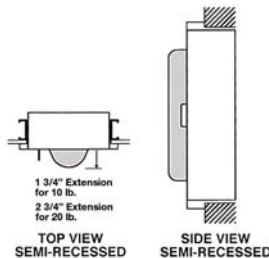
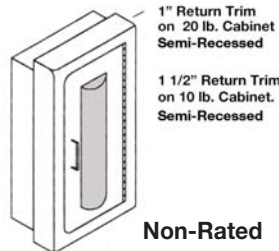
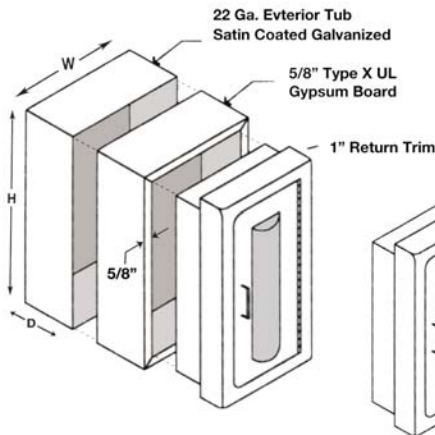
**STEP 6: FINISH OPTIONS:**  
 SSF - Stainless Steel Front  
 FSS - Full Stainless Steel  
 AL - Aluminum Front  
 FAL - Full Aluminum  
 RD - Red Coated

**STEP 5: HANDLE OPTIONS:**  
 008 - Safety Break Lock  
 010 - Alum. Die Cast Red "Fire" Handle  
 012 - ADA Handle

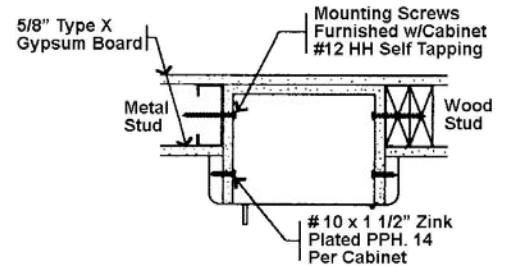
**STEP 7: GLAZING:**  
Bubble Only

**STEP 8: LETTERING:**  
 004 - Decal "Fire Ext." Lrg Vert R/B  
 006 - Decal "Fire Ext." Lrg Horiz R/B

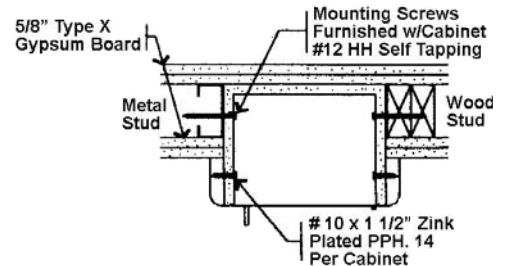
#### SAFEGUARD Fire Rating Assembly



#### SAFEGUARD Typical Semi-Recessed Fire Rated Installation ONE HOUR FIRE WALL SYSTEM



#### TWO HOUR FIRE WALL SYSTEM



UL Classified 5/8" Type X gypsum board inserted in the cavity between the two layers. Warnock Hersey has approved the Safeguard Cabinets to be mounted in any face of fire rated steel or wood stud for up to 2 hour rated walls without affecting its fire rating. The above meets the requirement test ASTM-E119-98 with test report WHI-495-1534. MOUNTING INSTRUCTIONS are supplied with each safeguard cabinet.

✓	Mod. #	Interior Tub Size			Overall Outside Trim		Rough Opening			Trim Style	SAFEGUARD Rough Opening			SAFEGUARD Trim Style	Accom. Ext Size
		W	H	D	W	H	W	H	D		W	H	D		
<b>Surface Mounted</b>															
	10-BC	10 1/2"	24"	4 1/2"	11"	24 1/2"	-	-	-	-	-	-	-	-	10
<b>Semi-Recessed</b>															
	11-BC	10 1/2"	24"	4 1/2"	14 1/2"	28"	10 3/4"	24 1/4"	3"	1 1/2"	12 1/4"	25 3/4"	3 3/4"	1 1/2"	10
	21-BC	14"	30"	4 3/4"	18 1/2"	34"	14 3/4"	30 1/4"	4 1/4"	1	16 1/4"	31 3/4"	5"	1"	20
<b>Fully-Recessed</b>															
	12-BC	10 1/2"	24"	4 1/2"	14 1/2"	28"	10 3/4"	24 1/4"	4 1/2"	1/4"	12 1/4"	25 3/4"	5 1/4"	1/4"	10

SFCA 2010