



www.AccessDoorsAndPanels.com  
 Phone: 1-800-609-2917  
 Fax: 1-888-626-2907  
 Email: info@accessdoorsandpanels.com  
 www.AccessDoorsAndPanels.com

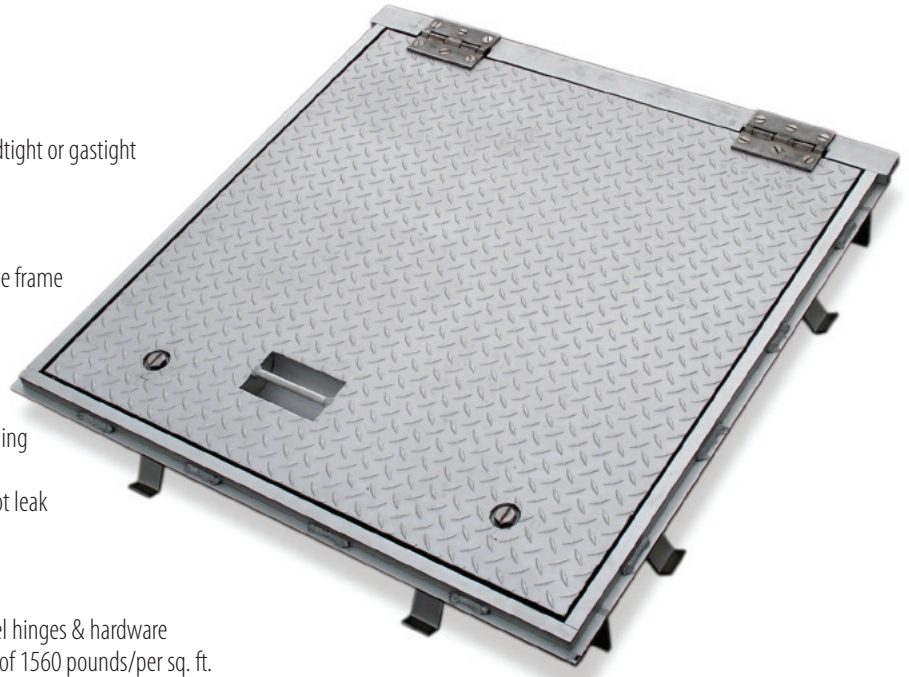
# Floor Door, Floodtight / Gastight AW-APS

## Application

- Designed for interior and exterior applications where floodtight or gastight is required.

## Product Features

- Angle frame construction with anchors welded around the frame for casting into concrete.
- Diamond plate door panel is reinforced for a live load of 1560 pounds/sqft. (capable of holding up to 25 ft. head of water).
- Door panel overlaps frame, compressing the gasket providing a floodtight/gastight fit.
- EPDM gasket and floodtight cam locks ensure door will not leak from standing water.



## AW-APS Floor Door Specifications:

**Material:** Aluminum door & frame ; Type 316 Stainless steel hinges & hardware

**Door:** 1/4" aluminum diamond plate reinforced for live load of 1560 pounds/per sq. ft. (capable of holding up to 25 ft. head of water)

**Frame:** 3/8" aluminum with 3/16" x 1 1/2" strap anchors welded around the frame for casting into concrete

**Hinge:** Type 316 stainless steel butt hinges with tamper proof stainless steel bolts and nuts

**Gasket:** 9/16" O.D. x 1/8" I.D. EPDM gasket

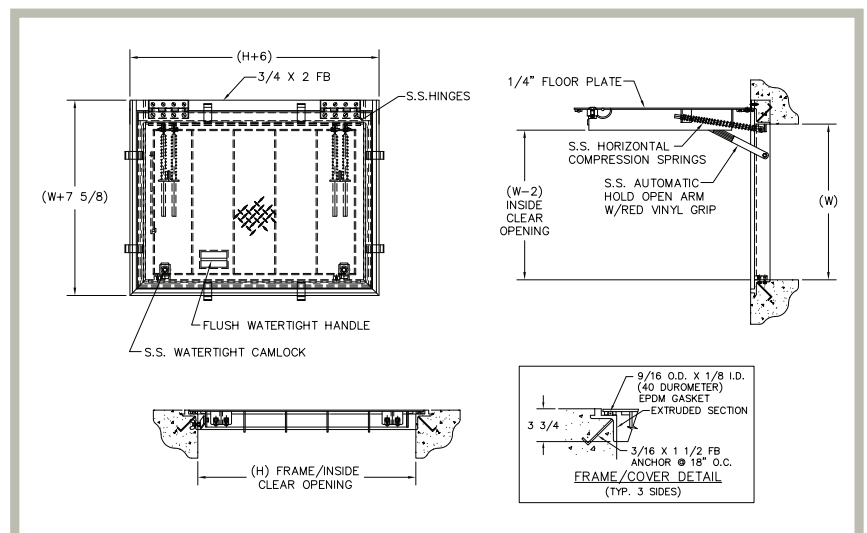
**Opening Device:** Automatic hold open arm with red vinyl grip allows door to open to 90 degrees, locking door in open position and allowing for easy control when closing door panel. Optional Lift Assist available

**Standard Latch:** Type 316 stainless steel floodtight cam locks and flush floodtight handle

**Finish:** Mill finish is standard, Bituminous coating optional on exterior of frame

## AVAILABLE SIZES (Special sizes available upon request)

FRAME I.D. SIZE W X H		WEIGHT PER DOOR	
inches	mm	lbs.	kg.
24 x 24	610 x 610	75	34.1
24 x 30	610 x 762	90	40.9
24 x 36	609 x 914	100	45.4
30 x 30	762 x 762	105	47.7
30 x 36	762 x 914	115	52.3
30 x 48	762 x 1220	140	63.6
36 x 36	914 x 914	130	59.1
36 x 48	914 x 1220	155	70.4



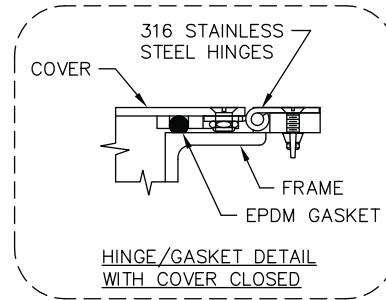
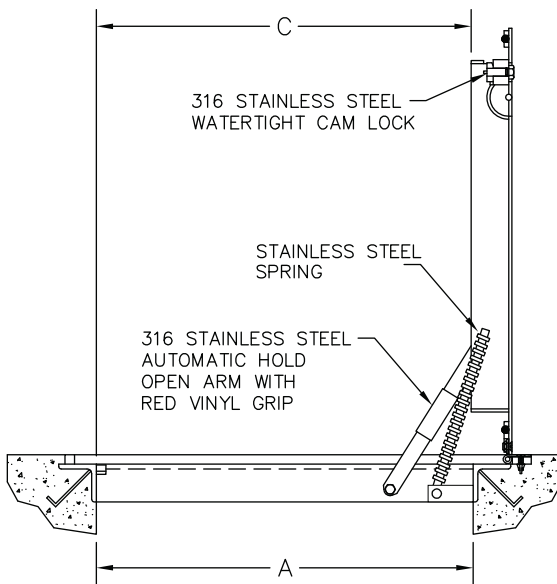
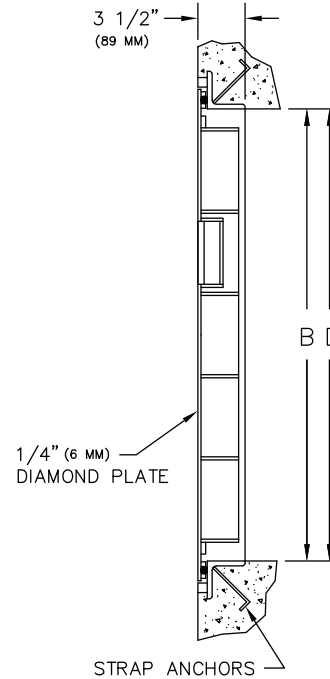
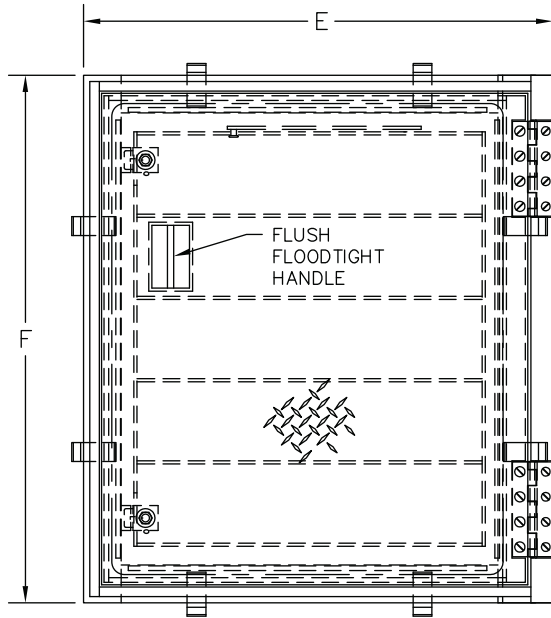


www.AccessDoorsAndPanels.com  
 Phone: 1-800-609-2917  
 Fax: 1-888-626-2907  
 Email: info@accessdoorsandpanels.com  
 www.AccessDoorsAndPanels.com

# AW-APS

## ANGLE FRAME FLOOR DOOR FLOODTIGHT/GASTIGHT

NOMINAL DOOR SIZE	FRAME OPENING		CLEAR OPENING		OVERALL SIZE		WEIGHT
	A in. (mm)	B in. (mm)	C in. (mm)	D in. (mm)	E in. (mm)	F in. (mm)	
24 x 24 (610 x 610)	24 (610)	24 (610)	22 (584)	24 (610)	31-5/8 (803)	30 (762)	84 (38)
24 x 30 (610 x 762)	24 (610)	30 (762)	22 (584)	30 (762)	31-5/8 (803)	36 (914)	101 (46)
24 x 36 (610 x 914)	24 (610)	36 (914)	22 (584)	36 (914)	31-5/8 (803)	42 (1067)	117 (53)
30 x 30 (762 x 762)	30 (762)	30 (762)	28 (737)	30 (762)	37-5/8 (940)	36 (914)	125 (57)
30 x 36 (762 x 914)	30 (762)	36 (914)	28 (737)	36 (914)	37-5/8 (940)	42 (1067)	136 (62)
30 x 48 (762 x 1219)	30 (762)	48 (1219)	28 (737)	48 (1219)	37-5/8 (940)	54 (1372)	176 (80)
36 x 36 (914 x 914)	36 (914)	36 (914)	34 (914)	36 (914)	43-5/8 (1108)	42 (1067)	156 (71)
36 x 48 (914 x 1219)	36 (914)	48 (1219)	34 (914)	48 (1219)	43-5/8 (1108)	54 (1372)	201 (91)



**NOTE:**  
 - MATERIAL: ALUMINUM WITH 316 STAINLESS STEEL NUTS & BOLTS, CAM LOCKS, HINGES AND HOLD OPEN ARM.  
 - LOADING: 1560 LBS. PER SQ. FOOT (7611 KG. PER SQ. M) (CAPABLE OF HOLDING UP TO 25 FT. HEAD OF WATER)  
 - S.S. HORIZONTAL SPRINGS  
 - BITUMINOUS PAINT ON AREA IN CONTACT WITH CONCRETE

JOB NAME:  
 CUSTOMER:

APPROVED BY:  
 DATE: