

MODEL NUMBER AND OPTIONS SELECTION

BASE MODEL NUMBER

AP Acoustical Plaster Access Door

Suffix Options

- AKL Allen Key Latch
- CL Cylinder Lock (one per door)
- CLD Cylinder Lock with Dust Shutter (one per door)
- SS Stainless Steel Construction (Type 304 No. 4 Satin Finish)

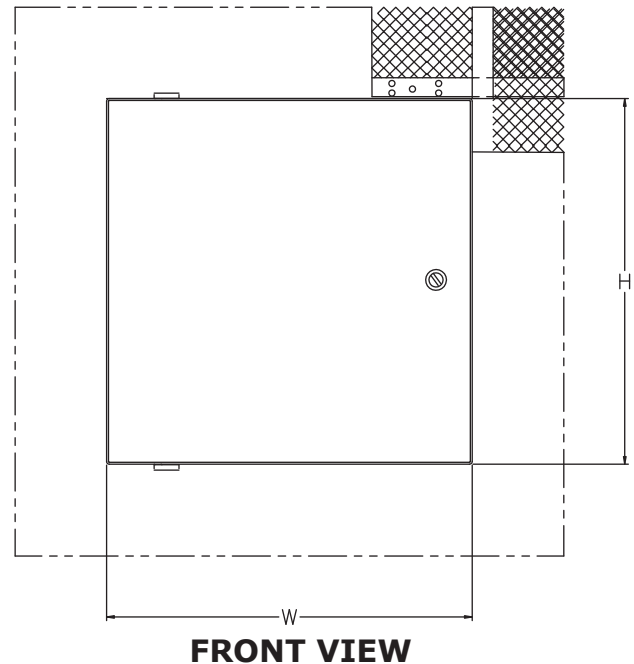
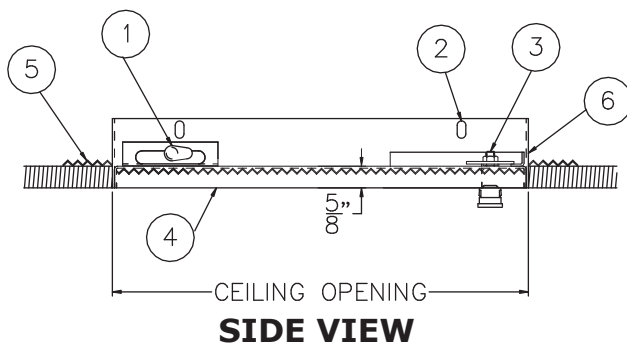
STANDARD AVAILABLE SIZES

Special sizes available upon request.

NOMINAL DOOR SIZE (W X H)	CEILING OPENING (minimum required)	LATCHES	WEIGHT
AP 12" x 12"	12-1/4" x 12-1/4"	1	7 lbs.
AP 12" x 24"	12-1/4" x 24-1/4"	2	13.5 lbs.
AP 18" x 18"	18-1/4" x 18-1/4"	2	14 lbs.
AP 24" x 24"	24-1/4" x 24-1/4"	2	20.5 lbs.
AP 24" x 36"	24-1/4" x 36-1/4"	2	24.5 lbs.

NOTES:

1. CONCEALED HINGE
2. MOUNTING HOLES
3. SCREWDRIVER OPERATED LATCH
4. DOOR
5. METAL LATH
6. FRAME



SELECTION SUMMARY & APPROVAL FOR MANUFACTURING

Model Number & Options _____	Quantity _____
Company _____	Date _____
Contact _____	Title _____
Approval for Manufacturing/Signature _____	