

AI Series
 MEMBER OF

 MORRIS GROUP
 INTERNATIONAL
**Lightweight Aluminum Insulated Access Doors**

Lightweight Aluminum Insulated Doors are ideally suited for new installations or for remodeling on wall or ceilings.

Door and Frame are fabricated of a .064" thick aluminum door panel and .094" thick aluminum extruded frame with a mill finish. Unit will include 1/8" x 3/8" closed cell neoprene gasketing.

Frame includes a 1-5/16" mitered aluminum extrusion flange with 1-1/2" deep mounting frame. Wall frame is provided with 1/4"x 1/2" mounting slots for fastening within the furred spaces allowing faster installation and fixing maximum clearance.

Doors with width 24" or less to have concealed pin hinge. Doors with width over 24" to have continuous aluminum piano hinge with exposed knuckle, set to open to 180 degrees. Door will include 3/4" Type 3 Expanded Polystyrene (EPS) Foil Lined Insulation, with a 3.18 R Value.

Latch is screwdriver operated cam latch.

Finish is a mill finish.

Guide Specification

Provide Elmdor® AI Series, Lightweight Aluminum Access Doors. Access door and frame shall be fabricated from a .064" thick aluminum door panel and .094" thick aluminum extruded frame with a mill finish. Doors with width 24" or less to have concealed pin hinge. Doors with width over 24" to have continuous aluminum piano hinge with exposed knuckle, set to open to 180 degrees. Door will include 3/4" Type 3 Expanded Polystyrene (EPS) Foil Lined Insulation, with a 3.18 R Value. Latch shall be screwdriver operated cam latch. Unit will include 1/8" x 3/8" closed cell neoprene gasketing.


 Member of U.S. Green
 Building Council
AI

Revised: 3/24/09

 Recyclable
 Product


MODEL NUMBER AND OPTIONS SELECTION

BASE MODEL NUMBER

AI Lightweight Aluminum Access Door

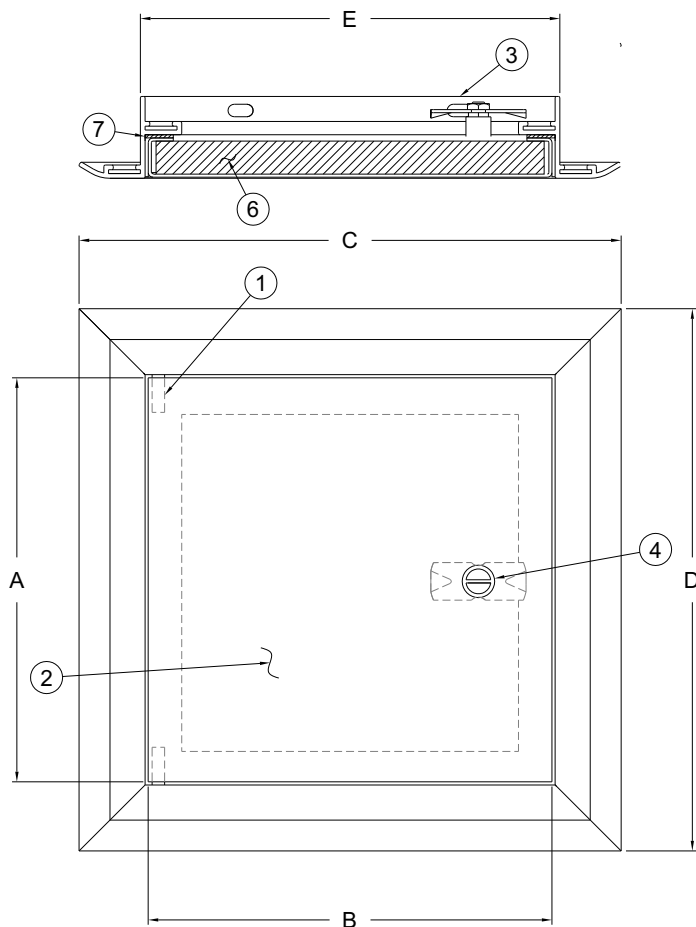
Suffix Options

- AKL Allen Key Latch
- CL Cylinder Lock (one per door)

STANDARD AVAILABLE SIZES

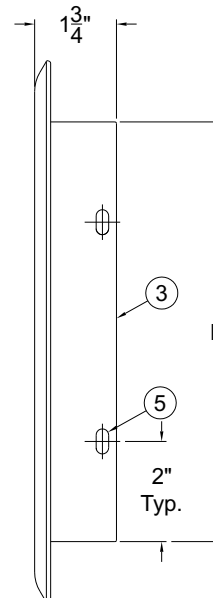
Special sizes available upon request.

NOMINAL SIZE	A	B	C	D	E	F	LOCK
8" x 8" (203 x 203)	8.062" (205)	8.062" (205)	10.821" (276)	10.821" (276)	8.375" (213)	8.375" (213)	1
10" x 10" (254 x 254)	10.062" (256)	10.062" (256)	12.821" (327)	12.821" (327)	10.375" (264)	10.375" (264)	1
12" x 12" (305 x 305)	12.062" (307)	12.062" (307)	14.821" (377)	14.821" (377)	12.375" (314)	12.375" (314)	1
14" x 14" (355 x 355)	14.062" (358)	14.062" (358)	16.821" (428)	16.821" (428)	14.375" (365)	14.375" (365)	1
18" x 18" (457 x 457)	18.062" (459)	18.062" (459)	20.821" (530)	20.821" (530)	18.375" (467)	18.375" (467)	1
24" x 24" (610 x 610)	24.062" (612)	24.062" (612)	26.821" (682)	26.821" (682)	24.375" (619)	24.375" (619)	1
24" x 36" (610 x 914)	36.062" (917)	24.062" (612)	27.821" (682)	38.821" (682)	24.375" (619)	36.375" (619)	2
24" x 48" (610 x 914)	48.062" (1221)	24.062" (612)	28.821" (682)	50.821" (1292)	24.375" (619)	48.375" (1229)	2
30" x 30" (762 x 762)	30.062" (764)	30.062" (764)	32.821" (835)	32.821" (835)	30.375" (772)	30.375" (772)	2
36" x 36" (914 x 914)	36.062" (916)	36.062" (916)	32.821" (835)	38.821" (987)	36.375" (924)	36.375" (924)	2
36" x 48" (914 x 1210)	48.062" (1221)	36.062" (916)	32.821" (835)	50.821" (1292)	36.375" (924)	48.375" (1229)	2



NOTES:

1. CONCEALED HINGE
2. DOOR
3. FRAME
4. SCREWDRIVER OPERATED CAM LATCH
5. MOUNTING SLOTS
6. INSULATION TYPE 3 EPS THERMAL BOARD
7. CLOSED CELL NEOPRENE GASKETING



SELECTION SUMMARY & APPROVAL FOR MANUFACTURING

Model Number & Options _____	Quantity _____
Company _____	Date _____
Contact _____	Title _____
Approval for Manufacturing/Signature _____	

AI