

# SUBMITTAL/TECHNICAL DATA SHEET



## ADVANTAGES

- Versatile Valve Box with one-piece frame is the standard for the industry. The design provides 100% clear opening with superior strength, rigidity and true square shape.

- The fully enclosing box keeps valves clean and clear from excess materials within the wall cavity.

- The door panel is mounted to the frame on a piano hinge that opens to 175 degrees for complete access without allowing the door to impact the wall.

- For easy opening, the unit comes standard with a cylinder lock release mechanism which acts as a fingerhold assist in opening the door.

- Available in brilliant white, stainless steel and galvanized steel. Optional primed colors also include grey powder coated steel, gold sand and jet black.



SKU: **3601**

**VERSATILE VALVE BOX**

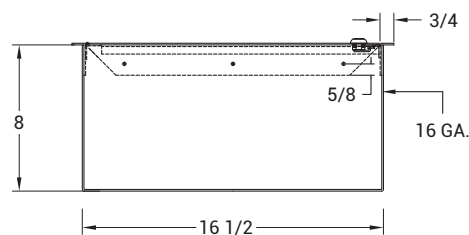
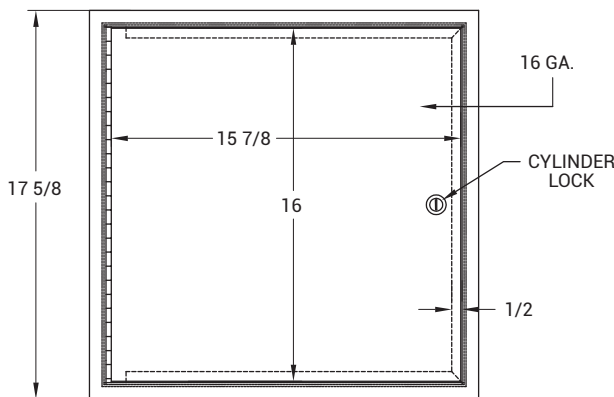


## DIMENSIONS AND APPEARANCE

>> CLICK TO VIEW ADDITIONAL DETAILS AND PRICING <<

### STANDARD SIZES AND PRODUCT NUMBERS:

DOOR SIZE (W x H)	FRAMED OPENING	PRODUCT NUMBER STEEL	PRODUCT NUMBER STAIN STEEL
8 x 8 x 4	8-1/2 x 8-1/2	3601-008-4	3602-008-4
8 x 8 x 6	8-1/2 x 8-1/2	3601-008-6	3602-008-6
8 x 8 x 8	8-1/2 x 8-1/2	3601-008-8	3602-008-8
12 x 12 x 4	12-1/2 x 12-1/2	3601-012-4	3602-012-4
12 x 12 x 6	12-1/2 x 12-1/2	3601-012-6	3602-012-6
12 x 12 x 8	12-1/2 x 12-1/2	3601-012-8	3602-012-8
14 x 14 x 4	14-1/2 x 14-1/2	3601-014-4	3602-014-4
14 x 14 x 6	14-1/2 x 14-1/2	3601-014-6	3602-014-6
14 x 14 x 8	14-1/2 x 14-1/2	3601-014-8	3602-014-8
16 x 16 x 4	16-1/2 x 16-1/2	3601-016-4	3602-016-4
16 x 16 x 6	16-1/2 x 16-1/2	3601-016-6	3602-016-6
16 x 16 x 8	16-1/2 x 16-1/2	3601-016-8	3602-016-8



For a complete list of options visit [www.AccessDoorsAndPanels.com](http://www.AccessDoorsAndPanels.com)

## PROJECT DATA

Custom Sizes Available - Fast!

PROJECT NAME :	QTY	W	H	OPTIONS
ARCHITECT :				
DEALER :				
CONTRACTOR :				
LOCATION :	SPECIAL INSTRUCTIONS :			
DATE :	SUBMITTAL APPROVAL :			
TAGGING INSTRUCTIONS :	(signature or stamp)			

Scan or Click



To view Pricing and Additional Product Info.

TELEPHONE:  
1-888-457-1275  
FAX:  
1-888-626-2907

PO BOX 66738 #76520,  
SAINT LOUIS, MO  
63166-6738  
USA



WEBSITE:  
[www.AccessDoorsAndPanels.com](http://www.AccessDoorsAndPanels.com)  
E-MAIL:  
[info@accessdoorsandpanels.com](mailto:info@accessdoorsandpanels.com)