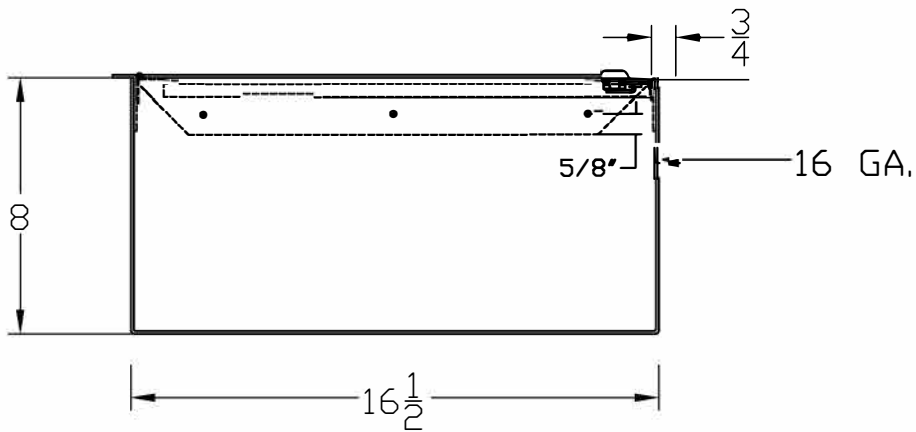
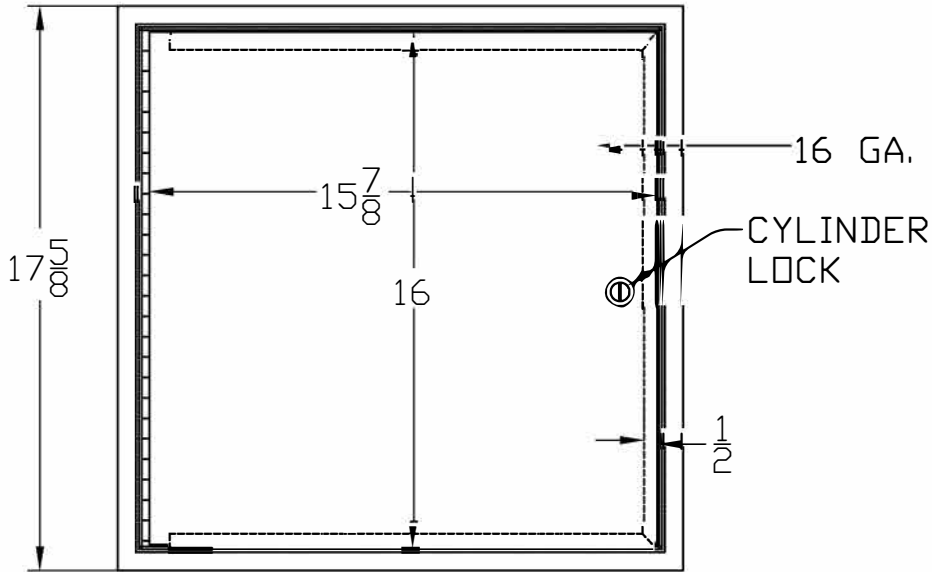


STANDARD SIZES and PRODUCT NUMBERS

DOOR SIZE	FRAMED OPENING	PRODUCT NUMBER STEEL	PRODUCT NUMBER STAIN STEEL
8 x 8 x 4	8-1/2 X 8-1/2	3601-008-4	3602-008-4
8 x 8 x 6	8-1/2 X 8-1/2	3601-008-6	3602-008-6
8 x 8 x 8	8-1/2 X 8-1/2	3601-008-8	3602-008-8
12 x 12 x 4	12-1/2 X 12-1/2	3601-012-4	3602-012-4
12 x 12 x 6	12-1/2 X 12-1/2	3601-012-6	3602-012-6
12 x 12 x 8	12-1/2 X 12-1/2	3601-012-8	3602-012-8
14 x 14 x 4	14-1/2 X 14-1/2	3601-014-4	3602-014-4
14 x 14 x 6	14-1/2 X 14-1/2	3601-014-6	3602-014-6
14 x 14 x 8	14-1/2 X 14-1/2	3601-014-8	3602-014-8
16 x 16 x 4	16-1/2 X 16-1/2	3601-016-4	3602-016-4
16 x 16 x 6	16-1/2 X 16-1/2	3601-016-6	3602-016-6
16 x 16 x 8	16-1/2 X 16-1/2	3601-016-8	3602-016-8



AccessDoorsAndPanels

Address: PO Box 66738 #76520, Saint Louis, MO 63166-6738
 Phone: 1-800-609-2917 Fax: 1-888-626-2907
 Website: www.AccessDoorsAndPanels.com
 Email: info@AccessDoorsAndPanels.com

ORDER WILL NOT BE RELEASED FOR FABRICATION UNTIL SIGNED COPY IS RECEIVED.

VERIFICATION AND APPROVAL OF GENERAL ARRANGEMENT AND OVERALL DIMENSIONS OF THIS DOCUMENT ARE REQUIRED BEFORE THE ORDER IS ENTERED FOR MANUFACTURING.

APPROVAL SIGNATURE _____
 TITLE HELD _____
 DATE OF APPROVAL _____

A	ORIGINAL	XXXX-XXX	MM-DD-YY
NO.	ECN NO.	REVISION	DATE
DRAWN BY: DN	CHECKED BY: X.X.X.		
DATE: 9-13-07	DATE: MO/DY/YR		
SCALE: NONE	JOB #: X/X		
TOLERANCE UNLESS SPECIFIED	± 0.005	TITLE: 16" X 16" X 8" STYLE VALVE BOX	
XXX	± 0.01"		
FRACT.	± 1/16"		
ANGLES	± 1 0"	DWG. NO.:	SHEET: 1 OF 1
		XXX	