



SUBMITTAL/TECHNICAL DATA SHEET

www.AccessDoorsAndPanels.com

APPLICATION

Installation in Drywall, Plaster, Masonry, Tile or any flush surface

FEATURES

- Door panel has rounded safety corners providing an architecturally pleasing appearance
- One piece trim flange will not rack, sag or distortion
- Unique continuous concealed hinge will not bind

SPECIFICATIONS

MATERIAL: Up to 16" X 16" - 16 gauge, 18 gauge mounting frame, over 16" X 16" - 14 gauge door, 16 gauge mounting frame

DOOR: Flush to frame with rounded safety corners

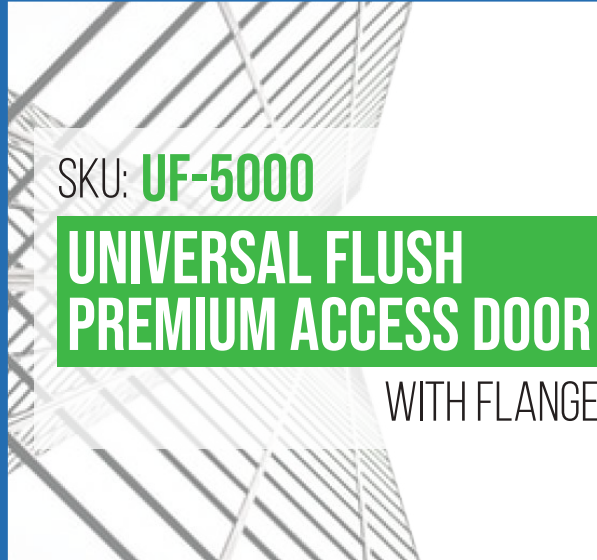
MOUNTING FRAME: One piece outer flange welded to mounting frame

HINGE: Continuous, concealed

LATCH: Stainless Steel screwdriver operated cam latch

OPTIONAL LATCHES/LOCKS: Cylinder lock and key, allen head cam latch, spanner head cam latch

FINISH: Steel: 5-stage iron phosphate preparation with prime coat of White alkyd baking enamel



DIMENSIONS AND APPEARANCE

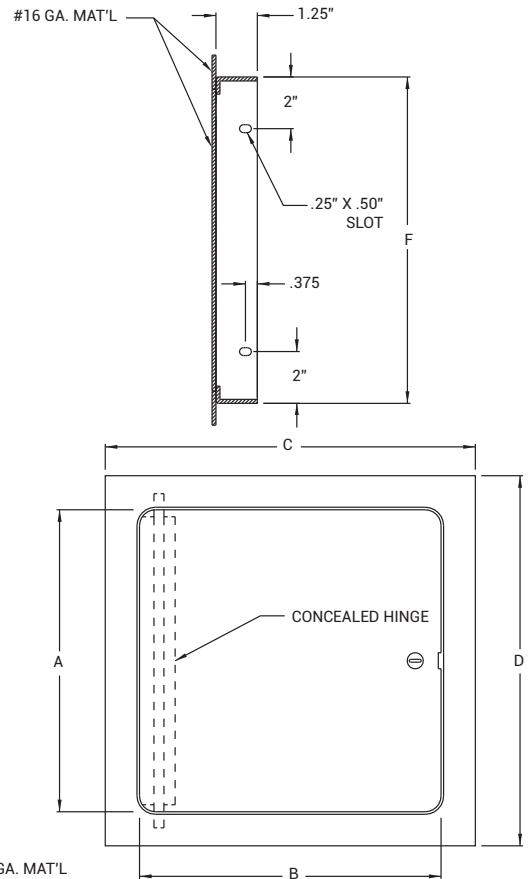
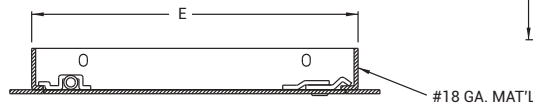
>> CLICK TO VIEW ADDITIONAL DETAILS AND PRICING <<

STANDARD SIZES:

DOOR SIZE W x H		LATCHES	WEIGHT	
INCHES	(MM)		LBS	KG
6 x 6	(152 x 152)	1	2.00	0.90
8 x 8	(203 x 203)	1	2.70	1.20
8 x 12	(203 x 305)	1	3.60	1.60
10 x 10	(254 x 254)	1	3.60	1.60
12 x 12	(305 x 305)	1	4.70	2.10
12 x 16	(305 x 406)	2	6.00	2.70
12 x 18	(305 x 457)	2	7.00	3.10
12 x 24	(305 x 610)	2	8.50	3.90
14 x 14	(356 x 356)	1	6.20	2.70
16 x 16	(406 x 406)	2	7.60	3.40
16 x 24	(406 x 610)	2	12.5	5.70
18 x 18	(457 x 457)	2	11.2	5.10
18 x 24	(457 x 610)	2	15.0	6.70
22 x 22	(560 x 560)	4	16.3	7.20
22 x 30	(560 x 762)	5	21.0	9.50
22 x 36	(560 x 914)	5	26.0	12.0
24 x 24	(610 x 610)	4	18.0	8.20
24 x 30	(610 x 762)	5	22.5	10.2
24 x 36	(610 x 914)	5	26.6	12.1
24 x 48	(610 x 1220)	5	38.0	18.1
30 x 30	(762 x 762)	5	27.5	12.5
36 x 36	(914 x 914)	5	39.0	17.7

Wall opening is W + 3/8" (9 mm)

For detailed specifications see submittal sheet



Proprietary property of Acudor Products, Inc., sold and distributed with proper authorization

For a complete list of options visit www.AccessDoorsAndPanels.com

PROJECT DATA

Custom Sizes Available - Fast!

Scan or Click



To view Pricing and Additional Product Info.

PROJECT NAME :	QTY	W	H	OPTIONS
ARCHITECT :				
DEALER :				
CONTRACTOR :				
LOCATION :	SPECIAL INSTRUCTIONS :			
DATE :				
TAGGING INSTRUCTIONS :	SUBMITTAL APPROVAL : (signature or stamp)			

TELEPHONE:
1-888-457-1275
FAX:
1-888-626-2907



PO BOX 66738 #76520,
SAINT LOUIS, MO
63166-6738
USA



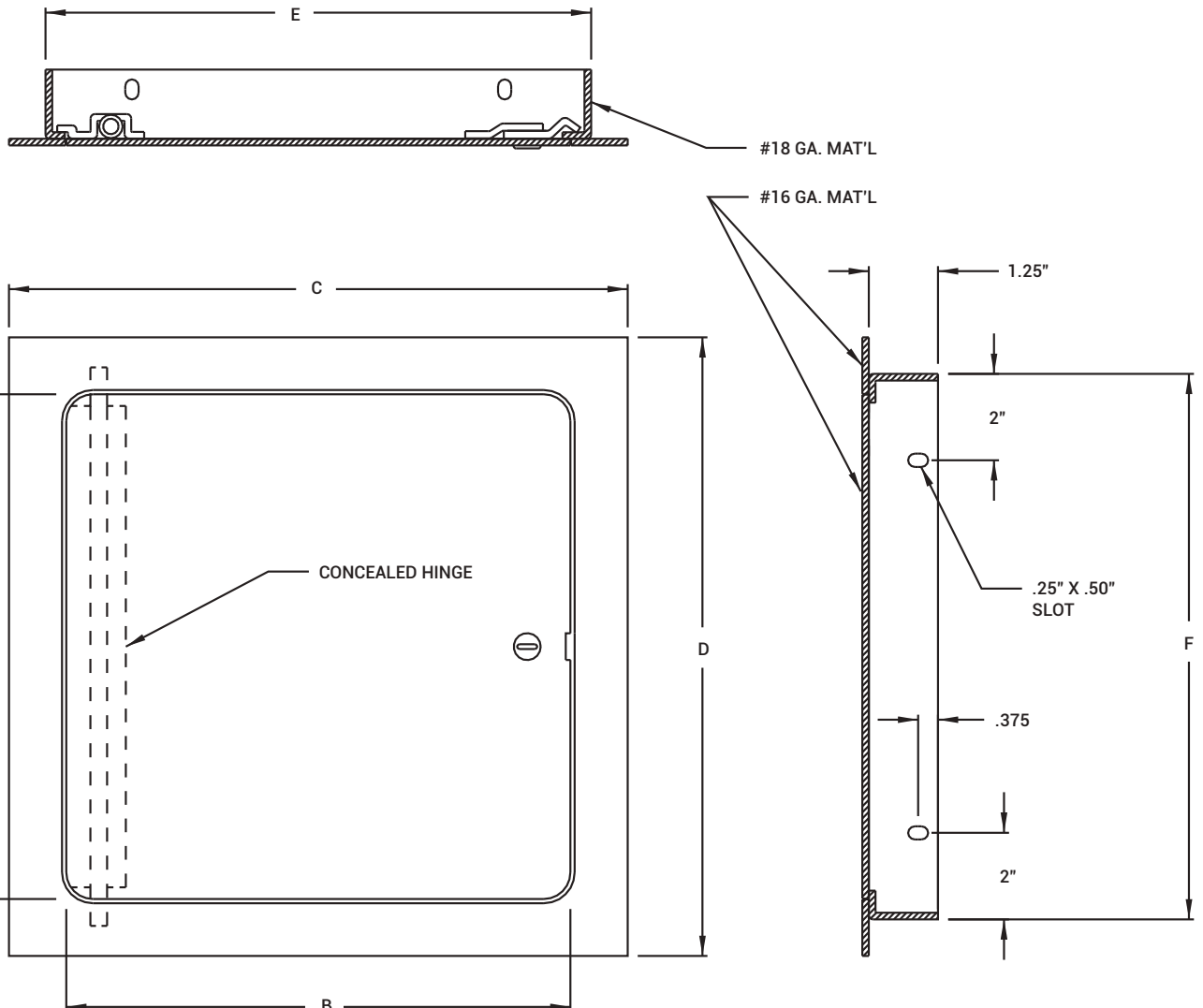
WEBSITE:
www.AccessDoorsAndPanels.com
E-MAIL:
info@AccessDoorsAndPanels.com



UF-5000

UNIVERSAL FLUSH PREMIUM ACCESS DOOR WITH FLANGE

NOMINAL DOOR SIZE	A	B	C	D	E	F	LOCK
Inches (mm)							
6 x 6 (152 x 152)	5.45 (138)	5.45 (138)	7.62 (194)	7.62 (194)	6.25 (159)	6.25 (159)	1
8 x 8 (203 x 203)	7.45 (189)	7.45 (189)	9.62 (244)	9.62 (244)	8.25 (210)	8.25 (210)	1
8 x 12 (203 x 305)	11.45 (291)	7.45 (189)	9.62 (244)	13.62 (346)	8.25 (210)	12.25 (311)	1
10 x 10 (254 x 254)	9.45 (240)	9.45 (240)	11.62 (295)	11.62 (295)	10.25 (260)	10.25 (260)	1
12 x 12 (305 x 305)	11.45 (291)	11.45 (291)	13.62 (346)	13.62 (346)	12.25 (311)	12.25 (311)	1
12 x 16 (305 x 406)	15.45 (393)	11.45 (291)	13.62 (346)	17.62 (448)	12.25 (311)	16.25 (413)	2
12 x 18 (305 x 457)	17.45 (443)	11.45 (291)	13.62 (346)	19.62 (498)	12.25 (311)	18.25 (464)	2
12 x 24 (305 x 610)	23.45 (596)	11.45 (291)	13.62 (346)	25.62 (651)	12.25 (311)	24.25 (616)	2
14 x 14 (356 x 356)	13.45 (342)	13.45 (342)	15.62 (397)	15.62 (397)	14.25 (362)	14.25 (362)	1
16 x 16 (406 x 406)	15.45 (393)	15.45 (393)	17.62 (448)	17.62 (448)	16.25 (413)	16.25 (413)	2





UF-5000

UNIVERSAL FLUSH PREMIUM ACCESS DOOR WITH FLANGE

NOMINAL DOOR SIZE	A	B	C	D	E	F	LOCK
Inches (mm)							
16 x 24 (406 x 610)	23.45 (596)	15.45 (392)	17.62 (448)	25.62 (651)	16.25 (413)	24.25 (616)	2
18 x 18 (457 x 457)	17.45 (443)	17.45 (443)	19.62 (498)	19.62 (498)	18.25 (464)	18.25 (464)	2
18 x 24 (457 x 610)	23.45 (596)	17.45 (443)	19.62 (498)	25.62 (651)	18.25 (464)	24.25 (616)	2
22 x 22 (560 x 560)	21.45 (545)	21.45 (545)	23.62 (600)	23.62 (600)	22.25 (565)	22.25 (565)	4
22 x 30 (560 x 762)	29.45 (748)	21.45 (545)	23.62 (600)	31.62 (803)	22.25 (565)	30.25 (768)	5
22 x 36 (560 x 914)	35.45 (900)	21.45 (545)	23.62 (600)	37.62 (956)	22.25 (565)	36.25 (921)	5
24 x 24 (610 x 610)	23.45 (596)	23.45 (596)	25.62 (651)	25.62 (651)	24.25 (616)	24.25 (616)	4
24 x 30 (610 x 762)	29.45 (748)	23.45 (596)	25.62 (651)	31.62 (651)	24.25 (616)	30.25 (768)	5
24 x 36 (610 x 914)	35.45 (900)	23.45 (596)	25.62 (651)	37.62 (651)	24.25 (616)	36.25 (921)	5
24 x 48 (610 x 1220)	47.45 (1205)	23.45 (596)	25.62 (651)	49.62 (651)	24.25 (616)	48.25 (1225)	5
30 x 30 (762 x 762)	29.45 (748)	29.45 (748)	31.62 (803)	31.62 (803)	30.25 (768)	30.25 (768)	5
36 x 36 (914 x 914)	35.45 (900)	35.45 (900)	37.62 (956)	37.62 (956)	36.25 (921)	36.25 (921)	5

