

SUBMITTAL/TECHNICAL DATA SHEET



STANDARD OPTIONS

MATERIAL

High impact ABS plastic with UV stabilizers

LOCK / LATCH:

Snap friction catch

FINISH:

White textured finish

PACKAGING:

Individually wrapped, 1 per box

INSTALLATION:

Adhesive caulking recommended



SKU: **RPL**

REMOVABLE PLASTIC ACCESS DOOR

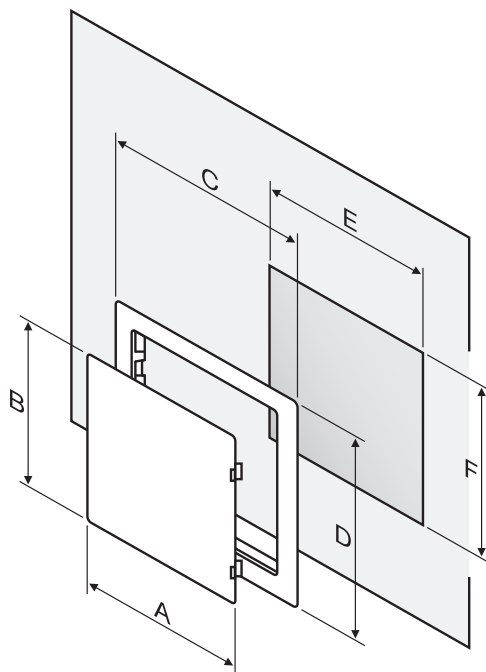
NON-RATED



DIMENSIONS AND APPEARANCE

>> CLICK TO VIEW ADDITIONAL DETAILS AND PRICING <<

For a complete list of options visit
www.AccessDoorsAndPanels.com



Scan or Click



To view Pricing and
Additional Product Info.

ACCESS DOOR CODE	DOOR SIZE (A" x B")	WALL OPENING (E" x F")	FRAME SIZE TO OUTER FLANGE (C" x D")	WEIGHT	
				LBS	KG
6 x 9	(6 x 9)	(6 3/8 x 9 3/8)	(8 1/4 x 11 1/4)	0.5	0.23
8 x 8	(8 x 8)	(8 3/8 x 8 3/8)	(10 1/4 x 10 1/4)	0.5	0.23
14 x 14	(13 3/4 x 13 3/4)	(13 3/4 x 13 3/4)	(17 x 17)	1.95	0.88
14 x 29	(13 3/4 x 29)	(13 3/4 x 29 1/2)	(17 x 32 1/4)	4.55	2

PROJECT DATA

Custom Sizes Available - Fast!

PROJECT NAME :	QTY	W	H	OPTIONS
ARCHITECT :				
DEALER :				
CONTRACTOR :				
LOCATION :	SPECIAL INSTRUCTIONS :			
DATE :				
TAGGING INSTRUCTIONS :	SUBMITTAL APPROVAL : (signature or stamp)			

LEED READY: THIS PRODUCT
CONTRIBUTES TO LEED® CREDITS



TELEPHONE:
1-888-457-1275
FAX:
1-888-626-2907



PO BOX 66738 #76520,
SAINT LOUIS, MO
63166-6738
USA



WEBSITE:
www.AccessDoorsAndPanels.com
E-MAIL:
info@AccessDoorsAndPanels.com