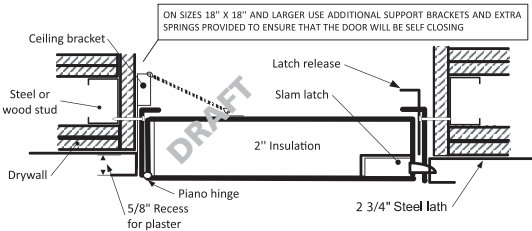


FIRE RATED INSULATED ACCESS DOOR WITH PLASTER FLANGE

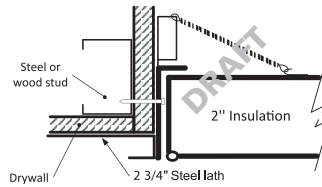
PFI-PLY

INSTALLATION: WALLS AND CEILINGS

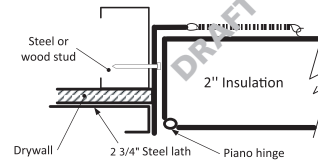
RECOMMENDED CEILING INSTALLATION PROCEDURE FOR 3 HOUR RATING



RECOMMENDED CEILING INSTALLATION PROCEDURE FOR 1 HOUR RATING



RECOMMENDED WALL INSTALLATION PROCEDURE FOR 1 HOUR RATING

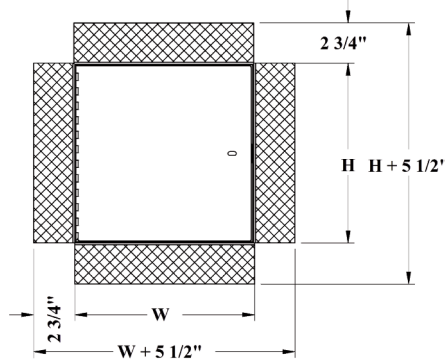


Authorities Having Jurisdiction (AHJ) should be consulted in all cases as to the particular requirements covering the installation and use of fire rated access doors.

DIMENSIONS AND APPEARANCE

DOOR SIZE W x H inches (MM)	NUMBER OF LOCKS	WEIGHT	
		LBS	KG
8 x 8 (203 x 203)	1	7	3.2
10 x 10 (254 x 254)	1	8	3.6
12 x 12 (304 x 304)	1	10	4.5
14 x 14 (355 x 355)	1	12	5.4
16 x 16 (406 x 406)	1	14	6.4
18 x 18 (457 x 457)	1	17	7.7
22 x 22 (558 x 558)	1	20	9.1
22 x 30 (558 x 762)	1	30	13.6
22 x 36 (558 x 914)	2	34	15.5
24 x 24 (609 x 609)	1	24	10.9
24 x 36 (609 x 914)	2	36	16.4
* 24 x 48 (609 x 1219)	2	68	30.9
* 30 x 30 (762 x 762)	1	41	18.6
* 32 x 32 (812 x 812)	2	43	19.5
* 36 x 36 (914 x 914)	2	50	22.7
* 48 x 48 (1219 x 1219)	2	83	37.7

LEED ready: This product contributes to LEED® credits.



Rough wall opening is door size + 1/4" or + 6mm
*Not available for ceiling rating (maximum 24"x36")



Your odd sizes:
Made in 5 days

DESCRIPTION AND MATERIAL SPECIFICATION

FIRE RATING: For installation in vertical wall assemblies:
RATING 1 1/2 HOURS. Temperature rise: 250°F (139°C) at 30 mins. and 450°F (250°C) at 60 mins. Maximum door size of 48" x 48".
RATING 3 HOURS. Temperature rise: 400°F at 60 mins. Maximum door size of 48" x 48".

FIRE RATING: For installation in horizontal ceiling assemblies:
WITH TEMPERATURE RISE: Rating 3 hours for non-combustible assembly and 1 hour for combustible assembly. Temperature rise: Max 250°F (139°C) at 30 mins, 450°F (250°C) at 60 mins. Maximum door size of 24" x 36" or 864 sq inches (see note 1)
WITHOUT TEMPERATURE RISE: Rating: 3 hours for non-combustible assembly and 1 hour for combustible assembly.

STANDARDS LISTED: NFPA 252-2003, UL 10(b), UL 555, CAN/ULC S112 M90-R2001, CAN/ULC S104-10, MEA # 507-06-M

Material: 16 gauge cold rolled steel frame and 20 gauge galvalneal steel door

Insulation: mineral wool

Hinge: continuous piano hinge

Lock / latch: self latching tool-key operated slam latch and/or ring operated slam latch, both included

Inside panel release: standard on all doors over 12" x 12"

Automatic panel closer: standard on all doors

Finish: high quality white powder coat primer

Packaging: individually wrapped, 1 per box

POPULAR OPTIONS

Material: stainless steel #4 (brushed finish)

Lock / latch: handle operated slam latch, mortise preparation for cylinder (cylinder optional), hex head slam latch, mortise deadbolt lock

Masonry anchor: available on all sizes

CENDREX PARTNERS



PROJECT DATA

PROJECT NAME:	QTY	W	H	OPTIONS
ARCHITECT:				
DEALER:				
CONTRACTOR:				
LOCATION:	SPECIAL INSTRUCTIONS:			
DATE:				
TAGGING INSTRUCTIONS:	SUBMITTAL APPROVAL: (signature or stamp)			

HEAD OFFICE: 11 303, 26th avenue, Montreal, Quebec, Canada H1E 6N6
WAREHOUSES: California, Colorado, Florida, Illinois, Pennsylvania, Texas

Tel.: 514 493-1489 - 1 800 479-1489
Fax: 514 493-1992 - 1 800 297-1489

www.cendrex.com
info@cendrex.com