



# SUBMITTAL/TECHNICAL DATA SHEET

www.AccessDoorsAndPanels.com



SKU: **LT-4000**

**UNIVERSAL FLUSH**

LIGHTWEIGHT ALUMINUM



## APPLICATION

Lightweight aluminum access door for walls and ceilings

## FEATURES

- Mitered aluminum frame provides an architecturally pleasing appearance
- Aluminum door panel is lined with 3/4" polystyrene insulation
- All aluminum construction is ideal for exterior applications, and specific interior applications where corrosion or moisture is a concern
- Gasketing between the door and frame

## SPECIFICATIONS

### DOOR / DOOR FRAME:

Aluminum: .064 door and .080 frame  
Flush to edge of frame, 1-5/16" mitered aluminum extrusion flange with 1-1/2" deep mounting frame

**HINGE:** Doors with width 24" or less to have concealed pin hinge. Doors with width over 24" to have continuous aluminum piano hinge with exposed knuckle, set to open to 180 degrees.

**INSULATION:** 3/4" Type 3 Expanded Polystyrene (EPS) Foil Lined Insulation, with a 3.18 R Value.

**GASKET:** 1/8" x 3/8" closed cell neoprene gasketing

**STANDARD LATCH:** Screwdriver operated cam latch

**OPTIONAL LATCHES/LOCKS:** Cylinder lock & key

**FINISH:** Mill finish

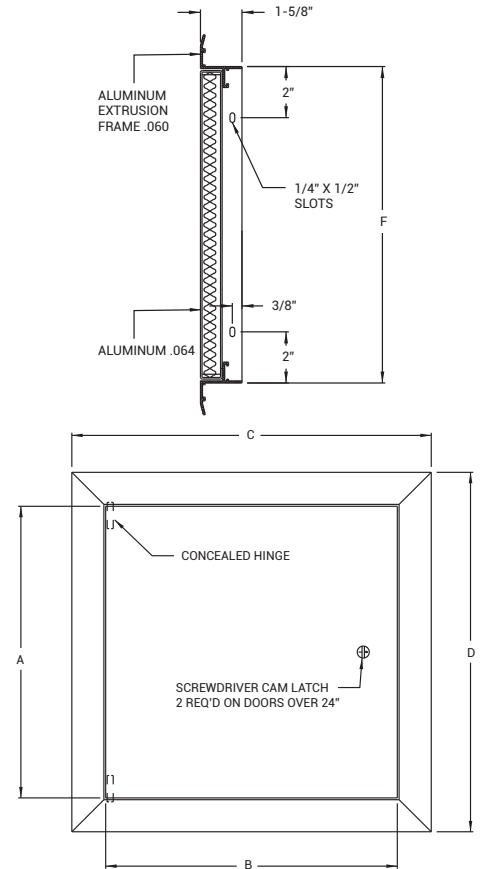
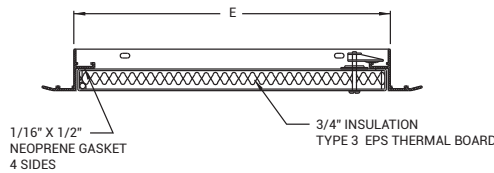
## DIMENSIONS AND APPEARANCE

>> CLICK TO VIEW ADDITIONAL DETAILS AND PRICING <<

### STANDARD SIZES:

DOOR SIZE W x H INCHES (MM)	LATCHES	WEIGHT	
		LBS	KG
8 x 8 (203 x 203)	1	1.8	0.8
10 x 10 (254 x 254)	1	2.3	1.0
12 x 12 (305 x 305)	1	2.9	1.3
14 x 14 (355 x 355)	1	3.5	1.6
16 x 16 (400 x 400)	1	4.2	1.9
18 x 18 (457 x 457)	1	4.9	2.2
24 x 24 (610 x 610)	1	7.3	3.3
24 x 36 (610 x 914)	2	10.4	4.7
24 x 48 (610 x 1220)	2	13.5	6.1
30 x 30 (762 x 762)	2	11.7	5.3
36 x 36 (914 x 914)	2	15.3	6.9
36 x 48 (914 x 1220)	2	19.3	8.8
48 x 48 (1220 x 1220)	4	24.3	11.0
60 x 48 (1524 x 1220)	4	34.0	15.4
72 x 48 (1830 x 1220)	4	40.0	18.1

Wall opening is normal door size plus +5/8" (16mm)  
For detailed specifications see submittal sheet



For a complete list of options visit  
www.AccessDoorsAndPanels.com

Proprietary property of Acudor Products, Inc., sold and distributed with proper authorization

## PROJECT DATA

Custom Sizes Available - Fast!

Scan or Click



To view Pricing and  
Additional Product Info.

PROJECT NAME :	QTY	W	H	OPTIONS
ARCHITECT :				
DEALER :				
CONTRACTOR :				
LOCATION :	SPECIAL INSTRUCTIONS :			
DATE :				
TAGGING INSTRUCTIONS :	SUBMITTAL APPROVAL : (signature or stamp)			



TELEPHONE:  
1-888-457-1275  
FAX:  
1-888-626-2907



PO BOX 66738 #76520,  
SAINT LOUIS, MO  
63166-6738  
USA



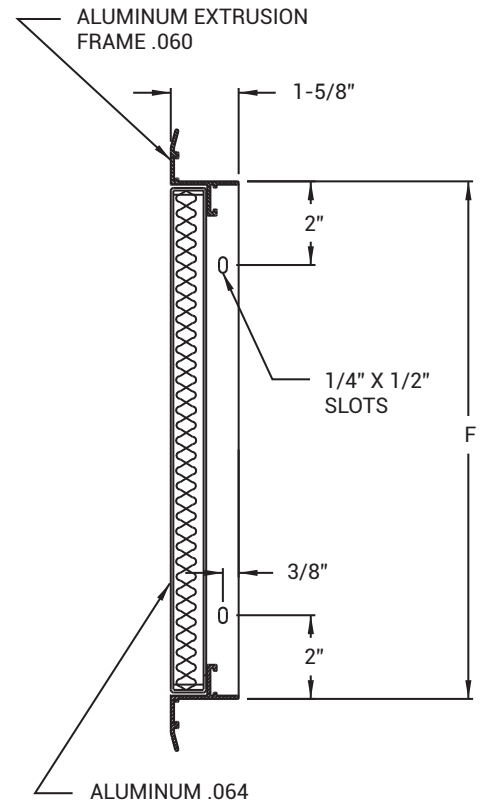
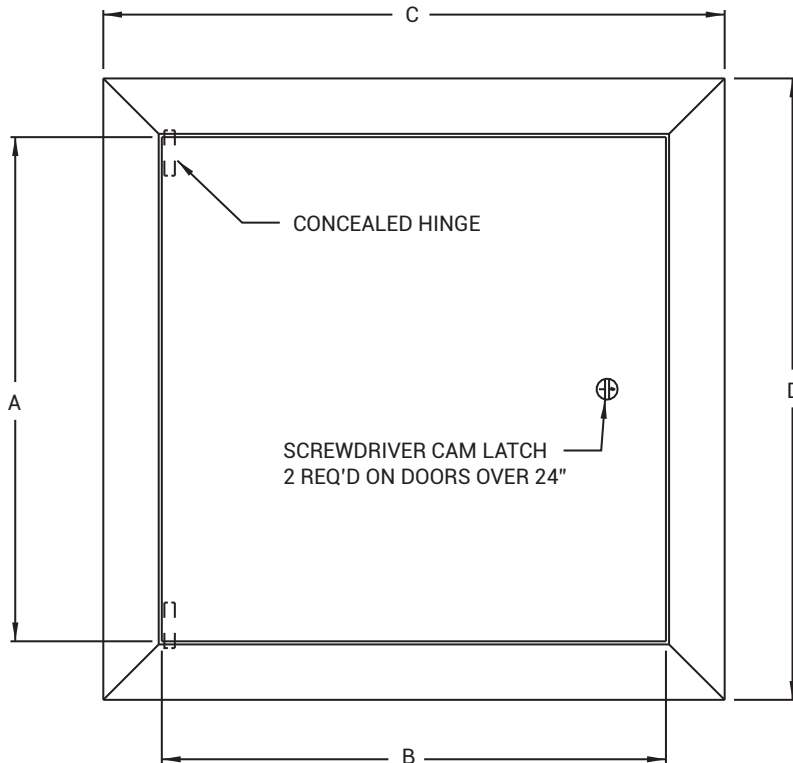
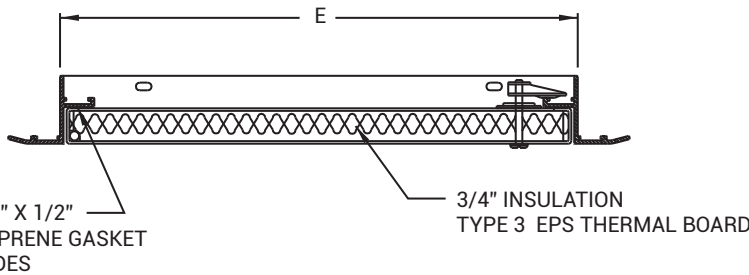
WEBSITE:  
www.AccessDoorsAndPanels.com  
E-MAIL:  
info@AccessDoorsAndPanels.com



# LT-4000

## LIGHT WEIGHT ALUMINUM

NOMINAL DOOR SIZE	A	B	C	D	E	F	SCREWS
in. (mm)							
8 x 8 (203 x 203)	8.062 (205)	8.062 (205)	10.855 (276)	10.855 (276)	8.375 (213)	8.375 (213)	1
10 x 10 (254 x 254)	10.062 (256)	10.062 (256)	12.855 (327)	12.855 (327)	10.375 (264)	10.375 (264)	1
12 x 12 (305 x 305)	12.062 (307)	12.062 (307)	14.855 (377)	14.855 (377)	12.375 (314)	12.375 (314)	1
14 x 14 (355 x 355)	14.062 (358)	14.062 (358)	16.855 (428)	16.855 (428)	14.375 (365)	14.375 (365)	1
18 x 18 (457 x 457)	18.062 (459)	18.062 (459)	20.855 (530)	20.855 (530)	18.375 (467)	18.375 (467)	1
24 x 24 (610 x 610)	24.062 (612)	24.062 (612)	26.855 (682)	26.855 (682)	24.375 (619)	24.375 (619)	1
24 x 36 (610 x 914)	36.062 (917)	24.062 (612)	26.855 (682)	38.855 (987)	24.375 (619)	36.375 (924)	2
24 x 48 (610 x 1220)	48.062 (1221)	24.062 (612)	26.855 (682)	50.855 (1292)	24.375 (619)	48.375 (1229)	2

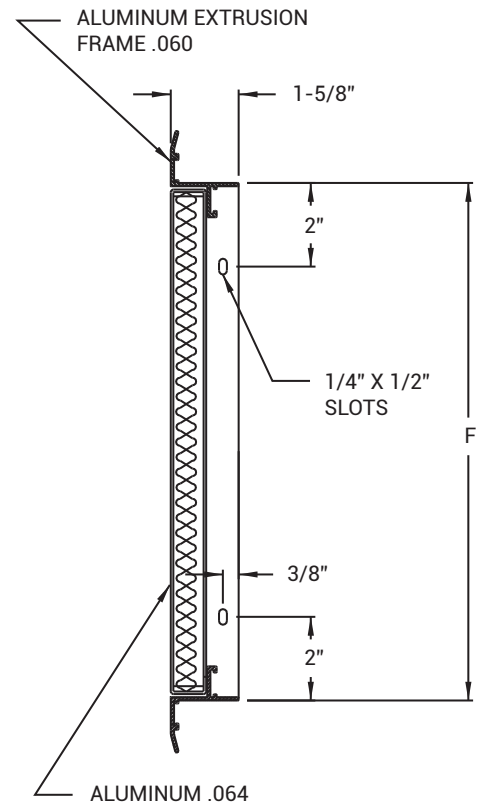
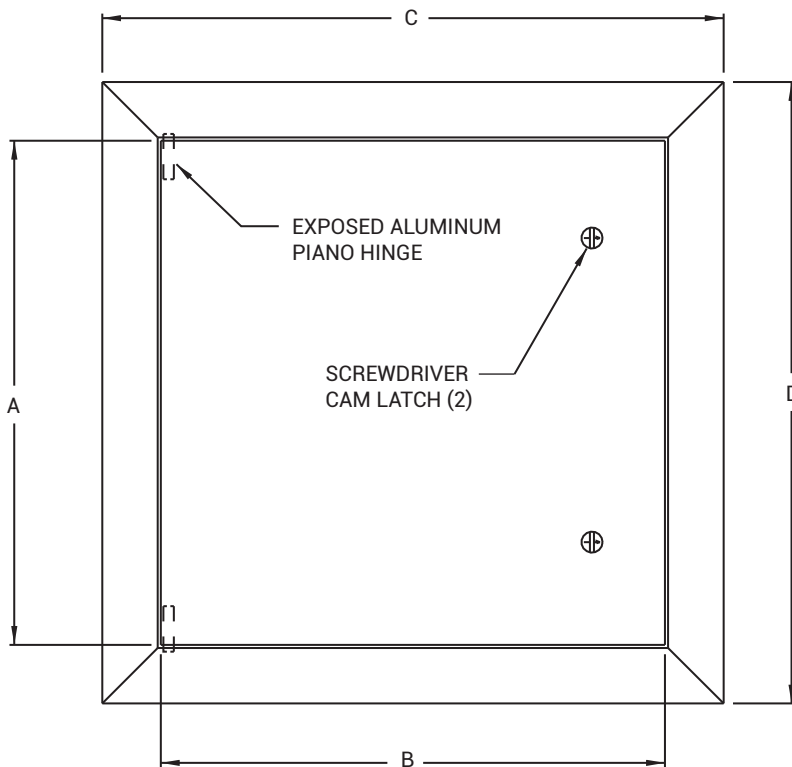
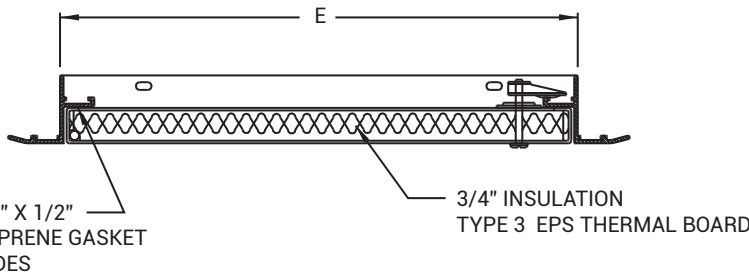




# LT-4000

## PIANO HINGE LIGHT WEIGHT ALUMINUM

NOMINAL DOOR SIZE	A	B	C	D	E	F	SCREWS
in. (mm)							
30 x 30 (762 x 762)	30.062 (205)	30.000 (762)	32.855 (835)	32.855 (835)	30.375 (772)	30.375 (772)	2
36 x 36 (914 x 914)	36.062 (256)	36.000 (914)	38.855 (987)	38.855 (987)	36.375 (924)	36.375 (924)	2
36 x 48 (914 x 1210)	48.062 (307)	36.000 (914)	38.855 (987)	50.855 (1292)	36.375 (924)	48.375 (1229)	2





# LT-4000

# DOUBLE LEAF LIGHT WEIGHT ALUMINUM

NOMINAL DOOR SIZE	A	B	C	D	E	F	SCREWS
in. (mm)							
* 48 x 48 (1220 x 1220)	48.062 (1221)	48.062 (1221)	50.855 (1292)	50.855 (1292)	48.375 (1229)	48.375 (1229)	2
60 x 48 (1524 x 1220)	48.062 (1221)	60.062 (1524)	62.855 (1597)	50.855 (1292)	60.375 (1534)	48.375 (1229)	2
60 x 60 (1524 x 1524)	60.062 (1525)	60.062 (1525)	62.855 (1597)	62.855 (1597)	60.375 (1534)	60.375 (1534)	2
72 x 48 (1830 x 1220)	48.062 (1221)	72.062 (1829)	74.855 (1901)	50.855 (1292)	72.375 (1838)	48.375 (1229)	2

\* CONCEALED PIN HINGE USED

