

HD-5070

Duct Door for Sheet Metal Duct

Application

- Assures a tight seal without obstruction in the air system

Product Features

- Insulated door panel, along with the gasketing between the door and frame
- 5/8" notched knock over tabs on the inside of the frame provide for easy installation
- These doors are designed for use in LOW to medium pressure up to 3" static W.G.

Options:

- Aluminum, stainless steel, cylinder lock & key, HASP + staple, L-handle

HD-5070 Duct Access Door Specifications:

Material: Galvanized steel, double panel

Door: 24 gauge

Mounting Frame: 24 gauge with 5/8" notched knock over tabs

Gasketing: 1/8" thick by 1/2" wide closed cell neoprene gasketing between door and frame and also between frame and duct

Hinge: Continuous aluminum piano hinge

Insulation: Door panel filled with 2" fiberglass insulation (7.7 R factor), compressed into 1".

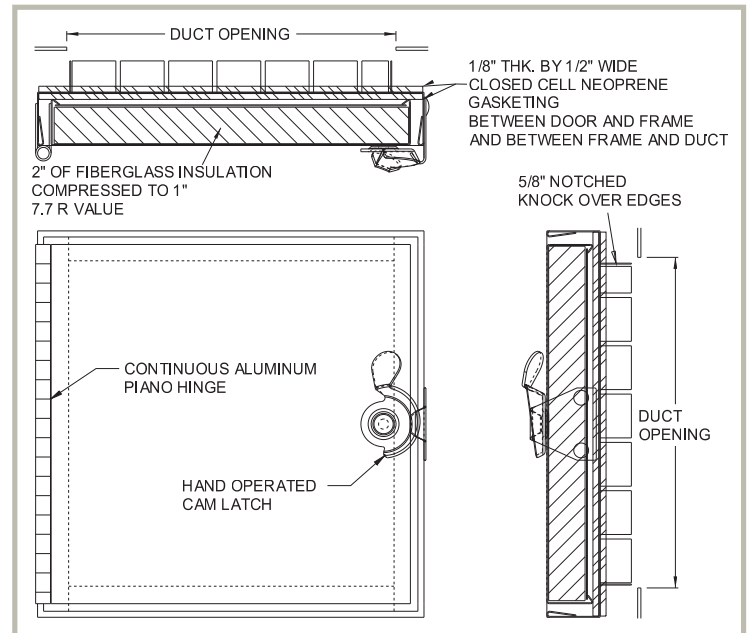
Latch: Self tightening, hand operated cam latch

HD-5070 SANDARD SIZES

(other sizes available upon request)

Nominal Door Size W&H		Duct Opening	Weight per Door	
Inches	mm		lbs.	kg.
6 x 6	150 x 150	4.75" x 4.75"	1.25	0.6
8 x 8	200 x 200	6.75" x 6.75"	1.75	0.8
10 x 10	250 x 250	8.75" x 8.75"	2.75	1.3
12 x 12	300 x 300	10.75" x 10.75"	3.75	1.7
14 x 14	350 x 350	12.75" x 12.75"	4.75	2.2
16 x 16	400 x 400	14.75" x 14.75"	5.25	2.4
18 x 18	450 x 450	16.75" x 16.75"	6.75	3.1
20 x 20	500 x 500	18.75" x 18.75"	9	4.1
24 x 24	610 x 610	22.75" x 22.75"	12.0	5.5

Duct opening is normal door size minus -1 1/4" (31mm)
For detailed specifications see submittal sheet



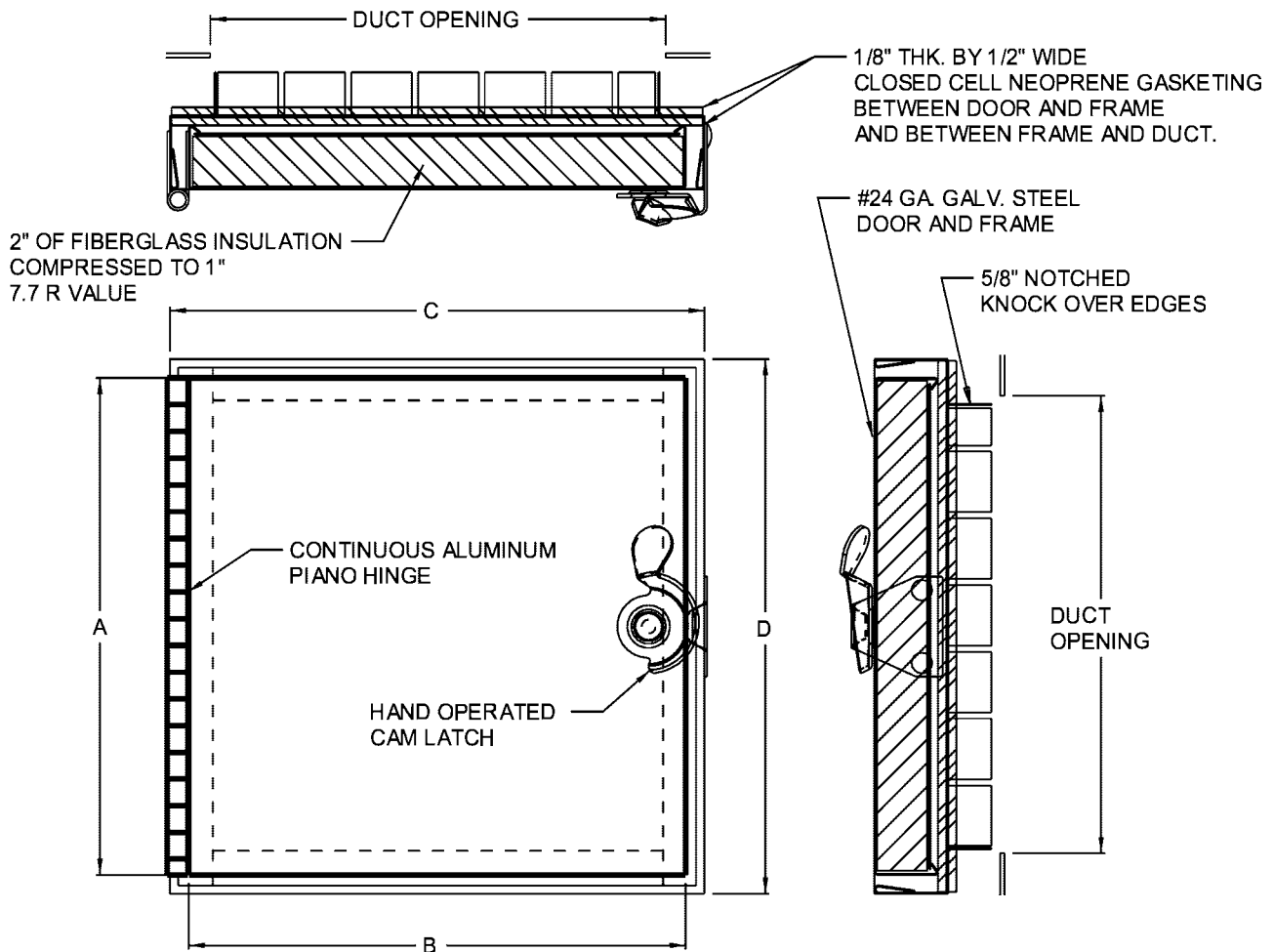


Access Doors and Panels
 www.AccessDoorsAndPanels.com
 info@accessdoorsandpanels.com
 Phone: 1-800-609-2917
 Fax: 1-888-626-2907

HD-5070

DUCT DOOR - HINGED

QTY.	NOMINAL SIZE	A	B	C	D	DUCT OPENING	LATCH
	6 x 6 (152 x 152)	5.5 (140)	5.5 (140)	6 (152)	6 (152)	4.75 x 4.75 (121 x 121)	1
	8 x 8 (203 x 203)	7.5 (191)	7.5 (191)	8 (203)	8 (203)	6.75 x 6.75 (171 x 171)	1
	10 x 10 (254 x 254)	9.5 (241)	9.5 (241)	10 (250)	10 (250)	8.75 x 8.75 (222 x 222)	1
	12 x 12 (304 x 304)	11.5 (292)	11.5 (292)	12 (304)	12 (304)	10.75 x 10.75 (273 x 273)	1
	14 x 14 (356 x 356)	13.5 (343)	13.5 (343)	14 (356)	14 (356)	12.75 x 12.75 (324 x 324)	2
	16 x 16 (406 x 406)	15.5 (394)	15.5 (394)	16 (356)	16 (356)	14.75 x 14.75 (375 x 375)	2
	18 x 18 (457 x 457)	17.5 (445)	17.5 (445)	18 (457)	18 (457)	16.75 x 16.75 (425 x 425)	2
	20 x 20 (508 x 508)	19.5 (495)	19.5 (495)	20 (508)	20 (508)	18.75 x 18.75 (476 x 476)	2
	24 x 24 (610 x 610)	23.5 (597)	23.5 (597)	24 (610)	24 (610)	22.75 x 22.75 (578 x 578)	2



STANDARD FEATURES: HINGED DOOR, SELF TIGHTENING HAND OPERATED CAM LATCH, GALVANIZED STEEL, MILL FINISH.

OPTIONS:

LOCK TYPE

OTHER

MATERIAL

- STAINLESS STEEL
- ALUMINUM
- OTHER

JOB NAME:

CUSTOMER:

APPROVED BY:

DATE: