



SUBMITTAL/TECHNICAL DATA SHEET

www.AccessDoorsAndPanels.com



SKU: **FB-5060**

FIRE-RATED UNINSULATED



APPLICATION

- For wall applications.
- Designed to maintain continuity in a 2 hour fire rated wall, when temperature is not a factor

FEATURES

- Concealed hinge
- Self-closing
- Self-Latching
- Inside latch release
- Available with a removable door panel

SPECIFICATIONS

DOOR / DOOR FRAME: Steel or Stainless Steel: 16 gauge door, 16 gauge mounting frame. Flush to frame with reinforced edges, flange to be 1" wide

HINGE: Concealed

FIRE RATING (WALLS): UL – 1-1/2 hour "B" label. ULC – 2 hour "B" label. (optional) Max sizes 36 x 48 and 24" x 79"

STANDARD LATCH: Universal self-latching bolt, operated by either a knurled knob or flush key. When master keying is required, doors can be prepared for rim or mortise cylinder locks.

FINISH: Steel: 5 stage iron phosphate preparation with prime coat of White alkyd baked-on enamel. Stainless Steel: #4 satin polish.

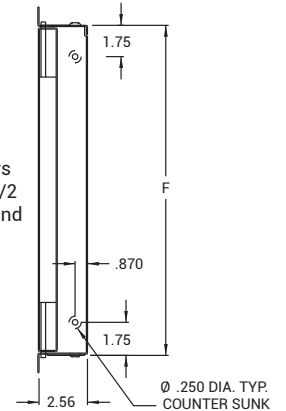
DIMENSIONS AND APPEARANCE

>> CLICK TO VIEW ADDITIONAL DETAILS AND PRICING <<

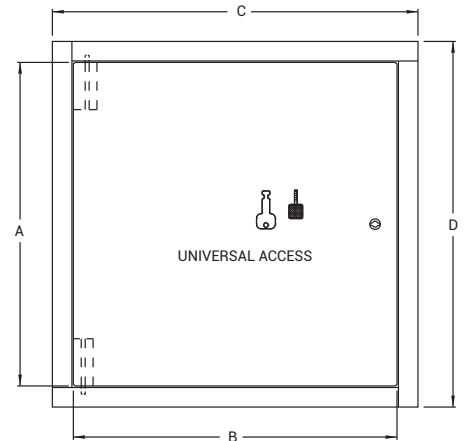
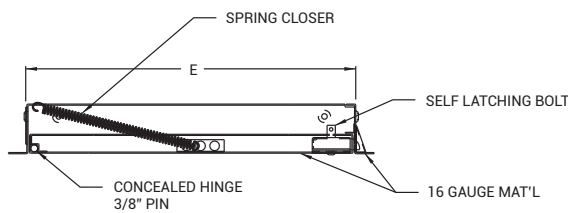
STANDARD SIZES:

DOOR SIZE W x H INCHES (MM)	WEIGHT	
	LBS	KG
24 x 24 (609 x 609)	25	11
24 x 30 (609 x 762)	54	24
24 x 36 (609 x 914)	62	28
30 x 30 (762 x 762)	74	33
30 x 36 (762 x 914)	82	37
36 x 36 (914 x 914)	85	38
42 x 42 (1066 x 1066)	90	40
*48 x 48 (1220 x 1220)	155	71
*48 x 72 (1220 x 1829)	220	100
*60 x 60 (1524 x 1524)	225	102

Approved by Underwriters Laboratories (UL) for 1 1/2 hours "B" label in walls and ULC for 2 hours "B" label in walls.



Wall opening is W + 3/8" (9 mm)
For detailed specifications see submittal sheet



Proprietary property of Acudor Products, Inc., sold and distributed with proper authorization

For a complete list of options visit www.AccessDoorsAndPanels.com

PROJECT DATA

Custom Sizes Available - Fast!

Scan or Click



To view Pricing and Additional Product Info.

PROJECT NAME :	QTY	W	H	OPTIONS
ARCHITECT :				
DEALER :				
CONTRACTOR :				
LOCATION :	SPECIAL INSTRUCTIONS :			
DATE :				
TAGGING INSTRUCTIONS :	SUBMITTAL APPROVAL : (signature or stamp)			

TELEPHONE:
1-888-457-1275
FAX:
1-888-626-2907



PO BOX 66738 #76520,
SAINT LOUIS, MO
63166-6738
USA



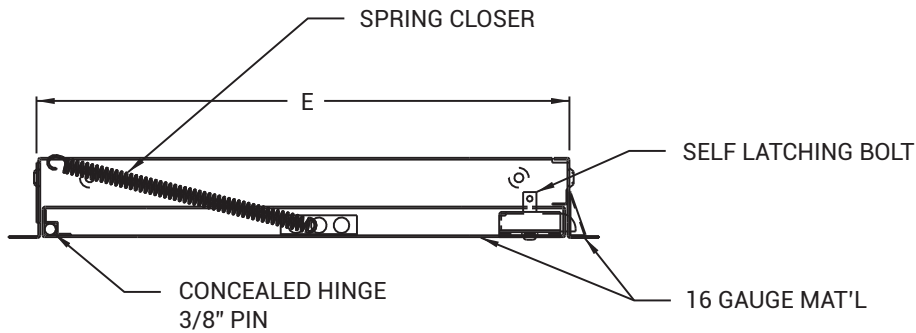
WEBSITE:
www.AccessDoorsAndPanels.com
E-MAIL:
info@AccessDoorsAndPanels.com



FB-5060

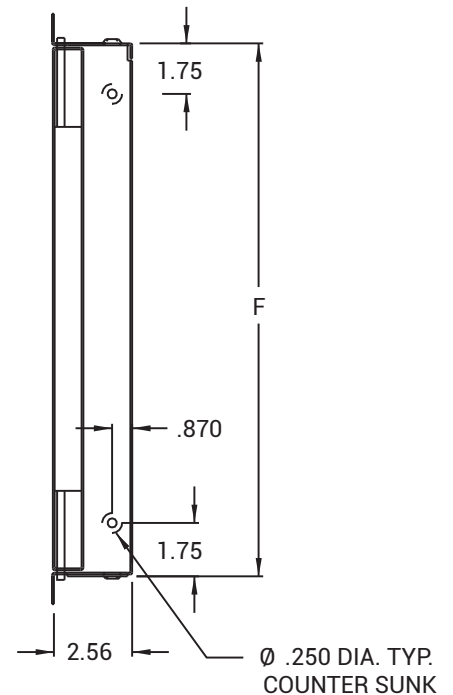
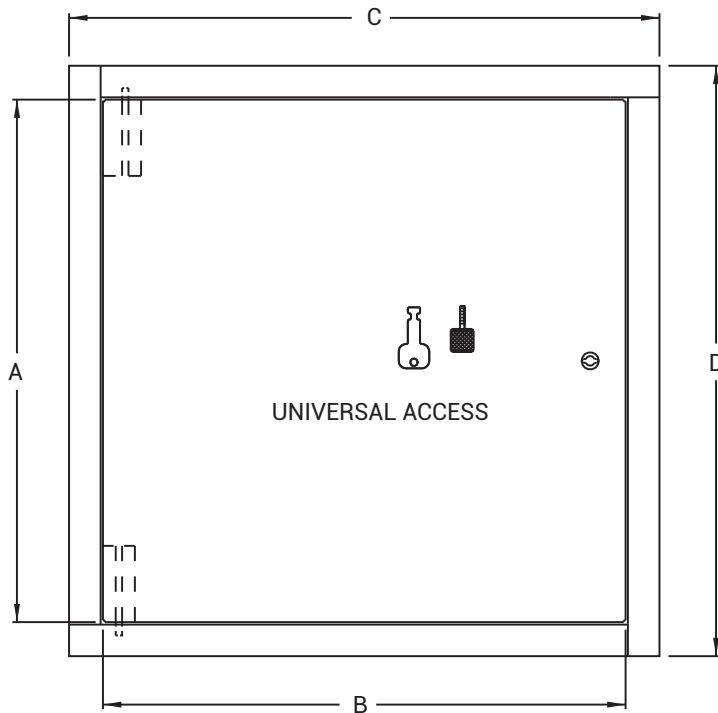
FIRE RATED - FOR WALLS

NOMINAL DOOR SIZE	A	B	C	D	E	F	LOCK
Inches (mm)							
8 x 8 (203 x 203)	7.78 (198)	7.78 (198)	10.00 (254)	10.00 (254)	8.12 (206)	8.12 (206)	1
10 x 10 (254 x 254)	9.78 (248)	9.78 (248)	12.00 (305)	12.00 (305)	10.12 (257)	10.12 (257)	1
12 x 12 (305 x 305)	11.78 (299)	11.78 (299)	14.00 (356)	14.00 (356)	12.12 (308)	12.12 (308)	1
14 x 14 (356 x 356)	13.78 (350)	13.78 (350)	16.00 (406)	16.00 (406)	14.12 (359)	14.12 (359)	1
16 x 16 (406 x 406)	15.78 (401)	15.78 (401)	18.00 (457)	18.00 (457)	16.12 (409)	16.12 (409)	1
18 x 18 (457 x 457)	17.78 (452)	17.78 (452)	20.00 (508)	20.00 (508)	18.12 (460)	18.12 (460)	1
24 x 24 (610 x 610)	23.78 (604)	23.78 (604)	26.00 (660)	26.00 (660)	24.12 (613)	24.12 (613)	1



WALLS

Approved by Underwriters Laboratories (UL) for 1 1/2 hours "B" label in walls and ULC for 2 hours "B" label in walls.

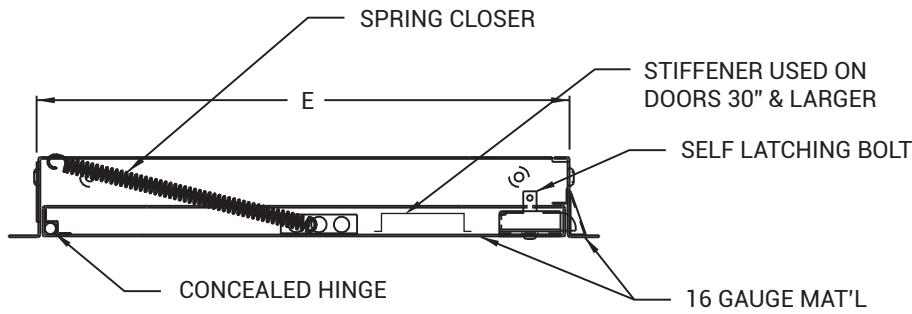




FB-5060

FIRE RATED - FOR WALLS

NOMINAL DOOR SIZE	A	B	C	D	E	F	LOCK
Inches (mm)							
22 x 30 (559 x 762)	29.78 (756)	29.78 (756)	24.00 (610)	32.00 (813)	22.12 (562)	30.12 (765)	2
22 x 36 (559 x 914)	35.78 (909)	35.78 (909)	24.00 (610)	38.00 (965)	22.12 (562)	36.12 (917)	2
24 x 36 (610 x 914)	35.78 (909)	35.78 (909)	26.00 (660)	38.00 (965)	24.12 (613)	36.12 (917)	2
24 x 48 (610 x 1219)	47.78 (1214)	47.78 (1214)	26.00 (660)	50.00 (1270)	24.12 (613)	48.12 (1222)	2
30 x 30 (762 x 762)	29.78 (756)	29.78 (756)	32.00 (813)	32.00 (813)	30.12 (765)	30.12 (765)	2
36 x 36 (914 x 914)	35.78 (909)	35.78 (909)	38.00 (965)	38.00 (965)	36.12 (917)	36.12 (917)	2
36 x 48 (914 x 1220)	47.78 (1214)	35.78 (909)	38.00 (965)	50.00 (1270)	36.12 (917)	48.12 (1222)	2



WALLS

Approved by Underwriters Laboratories (UL) for 1 1/2 hours "B" label in walls and ULC for 2 hours "B" label in walls.

