



SUBMITTAL/TECHNICAL DATA SHEET

www.AccessDoorsAndPanels.com

APPLICATION

For flush installation in walls or ceilings when it is required to conceal the door panel

FEATURES

Door is recessed 1"

SPECIFICATIONS

MATERIAL: Steel

DOOR: 16 gauge, Recessed 1"

MOUNTING FRAME: 14 gauge

HINGE: Concealed, pivoting rod type, for wall applications over 24"x24" we supply a concealed pin hinge

STANDARD LATCH: Flush to surface, screwdriver operated cam latch

OPTIONAL LATCHES/LOCKS: Cylinder lock and key, allen head cam latch, spanner head cam latch

FINISH: Steel: 5-stage iron phosphate preparation with prime coat of White alkyd baked-on enamel



SKU: **AT-5020**

SPECIALTY DOORS

RECESSED ACCESS DOOR

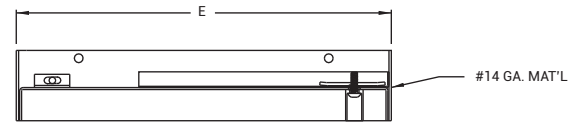


DIMENSIONS AND APPEARANCE

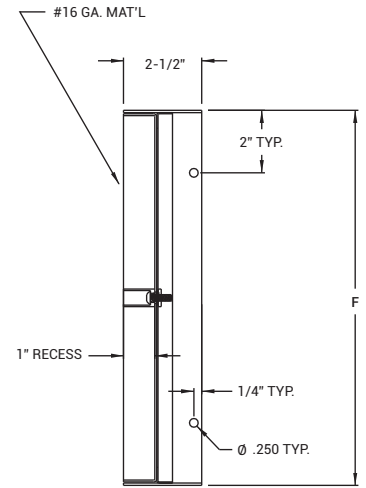
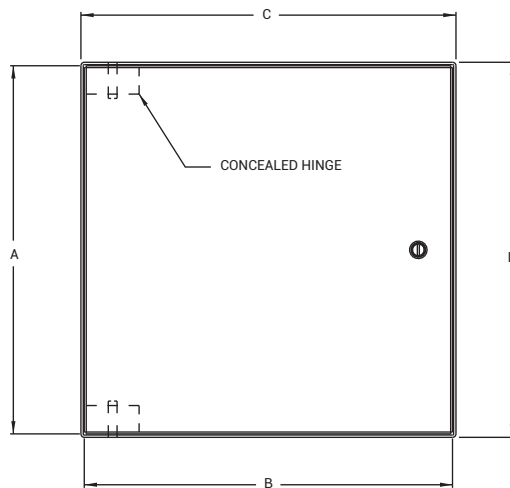
>> CLICK TO VIEW ADDITIONAL DETAILS AND PRICING <<

STANDARD SIZES:

DOOR SIZE W x H INCHES (MM)	LATCHES	WEIGHT	
		LBS	KG
12 x 12 (305 x 305)	1	7	3.0
18 x 18 (457 x 457)	2	13	5.9
24 x 24 (610 x 610)	2	21	9.5
24 x 36 (610 x 914)	2	30	13.8



Wall or ceiling opening is $W + 3/8"$ (9 mm)
For detailed specifications see submittal sheet



Proprietary property of Acudor Products, Inc., sold and distributed with proper authorization

For a complete list of options visit
www.AccessDoorsAndPanels.com

PROJECT DATA

Custom Sizes Available - Fast!

Scan or Click



To view Pricing and Additional Product Info.

PROJECT NAME :	QTY	W	H	OPTIONS
ARCHITECT :				
DEALER :				
CONTRACTOR :				
LOCATION :	SPECIAL INSTRUCTIONS :			
DATE :				
TAGGING INSTRUCTIONS :	SUBMITTAL APPROVAL : (signature or stamp)			

TELEPHONE:
1-888-457-1275
FAX:
1-888-626-2907



PO BOX 66738 #76520,
SAINT LOUIS, MO
63166-6738
USA



WEBSITE:
www.AccessDoorsAndPanels.com
E-MAIL:
info@AccessDoorsAndPanels.com



AT-5020

SPECIALTY DOORS RECESSED ACCESS DOOR

NOMINAL DOOR SIZE	A	B	C	D	E	F	LOCK
Inches (mm)							
12 x 12 (305 x 305)	11.81 (300)	11.81 (300)	12.00 (305)	12.00 (305)	12.00 (305)	12.00 (305)	1
18 x 18 (457 x 457)	17.81 (452)	17.81 (452)	18.00 (457)	18.00 (457)	18.00 (457)	18.00 (457)	2
24 x 24 (610 x 610)	23.81 (605)	23.81 (605)	24.00 (610)	24.00 (610)	24.00 (610)	24.00 (610)	2
24 x 36 (610 x 914)	35.81 (910)	23.81 (605)	24.00 (610)	36.00 (914)	24.00 (610)	36.00 (914)	2

