



SUBMITTAL/TECHNICAL DATA SHEET

www.AccessDoorsAndPanels.com

APPLICATION

Provides quick and easy access to flush valves that are concealed in the wall

FEATURES

- Door panel is removable from the frame via tamperproof stainless steel screws
- A 1-1/2" dia. hole in the center of the panel is provided for the valve handle

SPECIFICATIONS

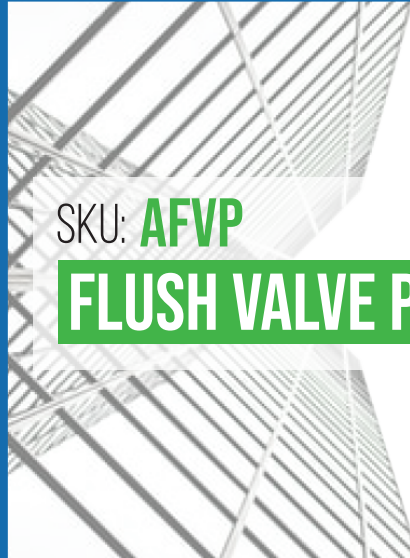
MATERIAL: 18 gauge stainless steel

DOOR: Overlaps frame, completely removable via tamperproof stainless steel screws. Door panel to have 1-1/2" dia. hole in center.

MOUNTING FRAME: 1-1/4" deep

STANDARD LATCH: Tamperproof stainless steel screws

FINISH: Stainless Steel: Type 304-#4 satin polish



SKU: **AFVP**

FLUSH VALVE PANEL



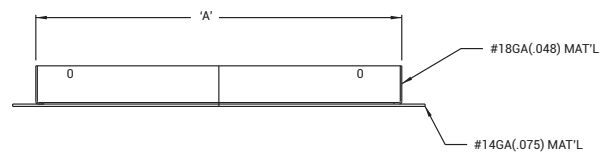
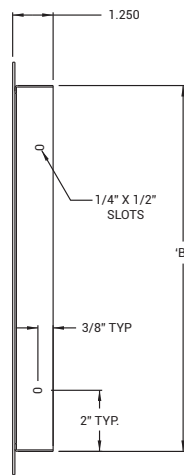
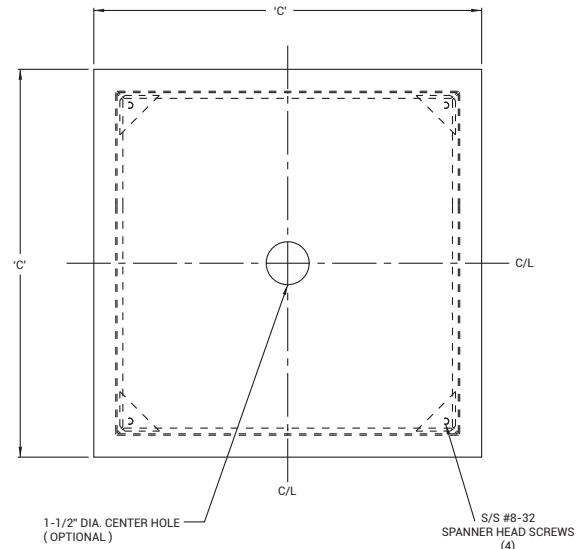
DIMENSIONS AND APPEARANCE

>> CLICK TO VIEW ADDITIONAL DETAILS AND PRICING <<

STANDARD SIZES:

DOOR SIZE W x H INCHES (MM)	WEIGHT	
	LBS	KG
12 x 12 (305 x 305)	5	2.3
15 x 15 (381 x 381)	9	4.1

For detailed specifications see submittal sheet



Proprietary property of Acudor Products, Inc., sold and distributed with proper authorization

For a complete list of options visit www.AccessDoorsAndPanels.com

PROJECT DATA

Custom Sizes Available - Fast!

Scan or Click



To view Pricing and Additional Product Info.

PROJECT NAME :	QTY	W	H	OPTIONS
ARCHITECT :				
DEALER :				
CONTRACTOR :				
LOCATION :	SPECIAL INSTRUCTIONS :			
DATE :				
TAGGING INSTRUCTIONS :	SUBMITTAL APPROVAL : (signature or stamp)			

TELEPHONE:
1-888-457-1275
FAX:
1-888-626-2907



PO BOX 66738 #76520,
SAINT LOUIS, MO
63166-6738
USA



WEBSITE:
www.AccessDoorsAndPanels.com
E-MAIL:
info@AccessDoorsAndPanels.com



AFVP

FLUSH VALVE ACCESS PANEL

NOMINAL DOOR SIZE	A	B	C	D	SCREWS
in. (mm)					
12 x 12 (305 x 305)	9.65 (245)	9.65 (245)	14.75 (375)	14.75 (375)	2
14 x 14 (355 x 355)	11.65 (296)	11.65 (296)	16.75 (425)	16.75 (425)	2

