

SUBMITTAL/TECHNICAL DATA SHEET



SPECIFICATIONS

MATERIAL: 14 gauge galvanized steel cover and Curb

FINISH: Galvanized Steel: White Powder Coat

COVER: 14 gauge galvanized steel exterior with 22 gauge galvanized steel liner bonded to core of 1" rigid styrofoam insulation.

COVER: 14 gauge galvanized steel exterior with 22 gauge galvanized steel liner bonded to core of 1" rigid styrofoam insulation.

CURB: 14 gauge galvanized steel with a 12" high curb, integral counterflashing, 3-1/2" wide mounting flanges with pre-drilled holes and 1" exterior fiberboard insulation

GASKET: Extruded EPDM rubber gasket adhered to cover

HINGES: Integrated Pintle Hinge

LIFT ASSIST: Cover operation is assisted by Gas Spring

LATCHES: Slam latch with interior and exterior handles and padlock hasps.

HARDWARE: All hardware is zinc plated (stainless steel hardware optional)

LOAD CAPACITY: 70 psf

CERTIFICATIONS: Florida Product Approval: FL 16737-R2



SKU: **M1**

ROOF HATCH

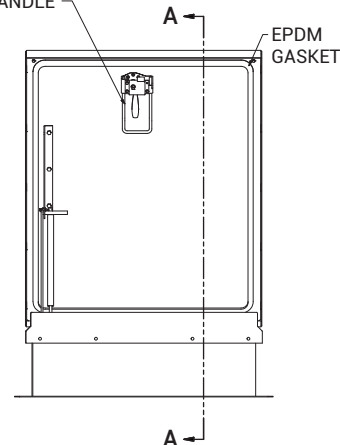
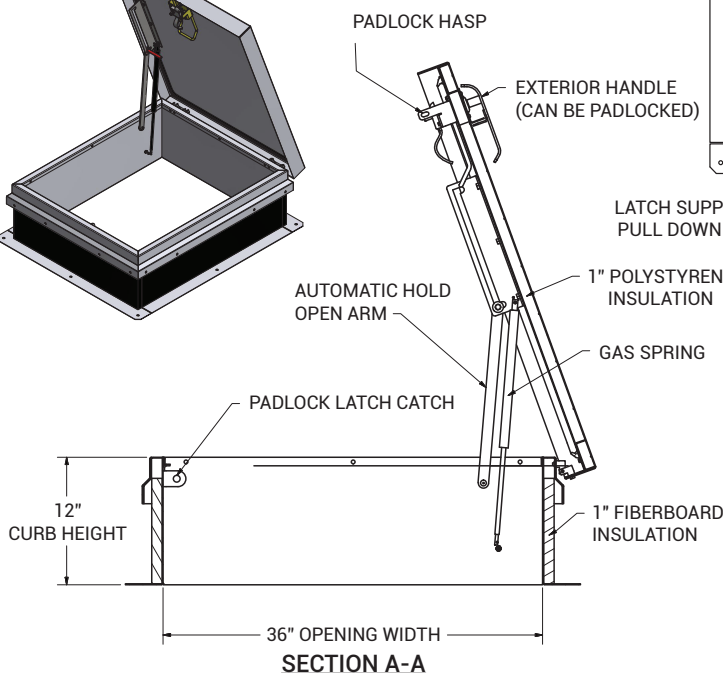
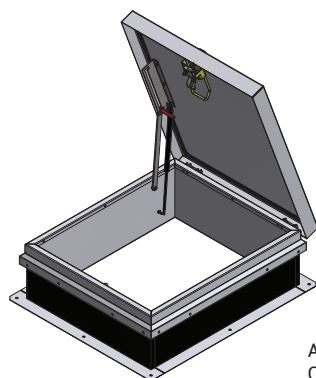
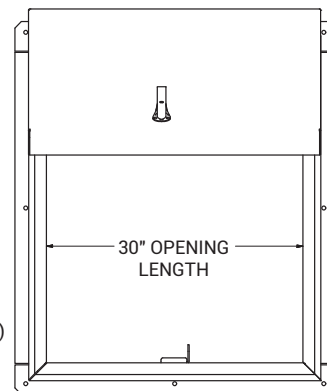


DIMENSIONS AND APPEARANCE

>> CLICK TO VIEW ADDITIONAL DETAILS AND PRICING <<

STANDARD SIZES AND PRODUCT NUMBER:

MODEL	DOOR SIZE	MATERIALS	SHIPPING WEIGHT LBS.
M-1 3501-501-9	36" x 30"	GALVANIZED STEEL COVER (14GA. & CURB (14 GA.))	185



For a complete list of options visit www.AccessDoorsAndPanels.com

PROJECT DATA

Custom Sizes Available - Fast!

PROJECT NAME :	QTY	W	H	OPTIONS
ARCHITECT :				
DEALER :				
CONTRACTOR :				
LOCATION :	SPECIAL INSTRUCTIONS :			
DATE :	SUBMITTAL APPROVAL : (signature or stamp)			
TAGGING INSTRUCTIONS :				

Scan or Click



To view Pricing and Additional Product Info.

TELEPHONE:
1-888-457-1275
FAX:
1-888-626-2907

PO BOX 66738 #76520,
SAINT LOUIS, MO
63166-6738
USA



WEBSITE:
www.AccessDoorsAndPanels.com
E-MAIL:
info@accessdoorsandpanels.com